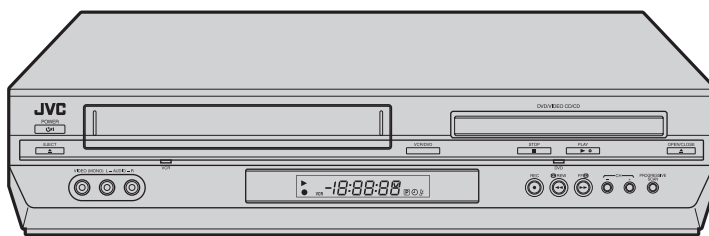


JVC

SERVICE MANUAL

DVD PLAYER & VIDEO CASSETTE RECORDER

HR-XVC27UA, HR-XVC27UM, HR-XVC29UJ



HR-XVC27UA, HR-XVC27UM, HR-XVC29UJ [D3PV0]



For disassembling and assembling of MECHANISM ASSEMBLY, refer to the SERVICE MANUAL No.86700 (MECHANISM ASSEMBLY).
Regarding service information other than these sections, refer to the service manual No. YD008 (HR-XVC27US).
Also, be sure to note important safety precautions provided in the service manual.

TABLE OF CONTENTS

1	PRECAUTION	1-3
2	SPECIFIC SERVICE INSTRUCTIONS	1-3
3	DISASSEMBLY	1-3
4	ADJUSTMENT	1-4
5	TROUBLESHOOTING	1-8

SPECIFICATION

	HR-XVC27UA	HR-XVC27UM	HR-XVC29UJ
GENERAL			
Power requirement	AC 110 - 220 V, 50 Hz/60 Hz		
Power consumption			
Power on	23 W		
Power off	5.2 W		
Temperature			
Operating	5°C to 40°C (41°F to 104°F)		
Storage	-20°C to 60°C (-4°F to 140°F)		
Operating position	Horizontal only		
Dimensions (W × H × D)	435 mm × 93 mm × 272 mm		
Weight	4.2 kg	4.1 kg	
Format	VHS PAL-N/NTSC standard	VHS NTSC standard	
Maximum recording time			
(SP)	240 min. with E-240 video cassette(PAL-N) 160 min. with T-160 video cassette(NTSC)	210 min. with ST-210 video cassette	
(LP)	480 min. with E-240 video cassette(PAL-N)	-	
(EP)	480 min. with T-160 video cassette(NTSC)	630 min. with ST-210 video cassette	
VIDEO/AUDIO (VCR deck)			
Signal system	PAL-N-type color signal and EIA monochrome signal, 625 lines/50 fields NTSC-type color signal and EIA monochrome signal, 525 lines/60 fields	NTSC color signal and EIA monochrome signal, 525 lines/60 fields	
Recording system	DA4 (Double Azimuth) head helical scan system		
Signal-to-noise ratio	45 dB		
Horizontal resolution	240 lines (PAL-N)/230 lines (NTSC)	230 lines	
Frequency range	70 Hz to 10,000 Hz (Normal audio), 20 Hz to 20,000 Hz (Hi-Fi audio)		
Input/Output	RCA connectors: IN × 1, OUT × 1		
VIDEO/AUDIO (DVD deck)			
Signal system	NTSC		
Applicable disc	DVD (12 cm, 8 cm), CD (12 cm, 8 cm)		
Audio characteristics	DVD:4 Hz - 22 KHz		
Frequency response	CD:4 Hz - 20 KHz		
S/N Ratio	90 dB		
Harmonic distortion	0.1%		
Wow and flutter	Below Measurable Level		
Dynamic range	90 dB		
Output			
Component-Y	(RCA) 1.0 Vp-p/75Ω		
Component-PB/PR	(RCA) 0.7 Vp-p/75Ω		
Audio	(RCA) 2 Vrms, 1 KΩ		
S-video	(Y) 1.0 Vp-p, 75Ω, (C) 0.3 Vp-p, 75Ω		
Digital Audio	(COAXIAL) 0.5 Vp-p/75Ω		
TUNER			
Tuning system	Frequency synthesized tuner		
Channel coverage	VHF: Channels 2 - 13, UHF: Channels 14 - 69, CATV: 113 Channels		
RF output	Channel 3 or 4 (switchable; preset to Channel 3 when shipped) 75Ω, unbalanced		
TIMER			
Clock reference	Quartz		
Program capacity	1-year programmable timer/8 programs		
Memory backup time	Approx. 3 minutes	Approx. 5 seconds	
ACCESSORIES			
Provided accessories	RF cable, Infrared remote control unit, "AA" battery × 2	RF cable, Infrared remote control unit, "AA" battery × 2, Conversion Plug	

- Specifications shown are for SP mode unless otherwise specified.
- E. & O.E. Design and specifications subject to change without notice.
- Manufactured under license from Dolby Laboratories. "Dolby" and the double-D symbol are trademarks of Dolby Laboratories.
- "DTS" and "DTS 2.0 + Digital Out" are trademarks of Digital Theater Systems, Inc.

SECTION 1 PRECAUTION

Please refer to "HR-XVC27US No.YD008" about this section.

SECTION 2 SPECIFIC SERVICE INSTRUCTIONS

Please refer to "HR-XVC27US No.YD008" about this section except a written item.

2.1 DIFFERENCE LIST

The following table indicates main different points between models HR-XVC27US, HR-XVC27UA, HR-XVC27UM and HR-XVC29UJ.

	HR-XVC27US	HR-XVC27UA	HR-XVC27UM	HR-XVC29UJ
POWER VOLTAGE	AC120V, 60Hz	AC110-220V, 50/60Hz	←	←
POWER PLUG	UL, CSA	IRAM	SASO	←
SHUTTLE SEARCH (LATCH) - PAL	NOT USED	SP × 7, LP × 7	NOT USED	←
VIDEO SYSTEM : VHS	NTSC(SP/EP)	PAL-N(SP,LP) / NTSC(SP,EP)	NTSC(SP/EP)	←
RECORDING & PLAYBACK SPEED	SP/EP	NTSC:REC:SP/EP, PLAY:SP/LP/EP PAL-N:REC:SP/LP, PLAY:SP/LP	SP/EP	←
REMOTE PAUSE TERMINAL	NOT USED	USED	←	←
D.S.T. MODE	USED(AUTO/ON/OFF)	USED(MANUAL)	NOT USED	USED(AUTO/ON/OFF)
AUTO CLOCK / JUST CLOCK	USED	←	NOT USED	USED
VCR OSD LANGUAGE [INITIAL]	[ENGLISH], SPANISH, FRENCH	[SPANISH], ENGLISH	←	[ENGLISH], SPANISH, FRENCH
REGION CODE	REGION CODE 1	REGION CODE 4	←	REGION CODE 1

NOTE:

Mark ← is same as left.

SECTION 3 DISASSEMBLY

Please refer to "HR-XVC27US No.YD008" about this section.

SECTION 4 ADJUSTMENT

Please refer to "HR-XVC27US No.YD008" about this section except a written item.

4.1 Before adjustment

4.1.1 Precaution

- The adjustments of this unit include the mechanism compatibility and electrical adjustments. During the performance of this work, be sure to observe the precautions for each type of adjustment.
- If there is a reference to a signal input method in the signal column of the adjustment chart, "Ext. S-input" means the Y/C separated video signal and "Ext. input" means the composite video signal input.
- Unless otherwise specified, all measuring points and adjustment parts are located on the Main board.

4.1.2 Required test equipments

- Color (colour) television or monitor
- Oscilloscope: wide-band, dual-trace, triggered delayed sweep
- Signal generator: RF / IF sweep / marker
- Signal generator: stairstep, color (colour) bar [PAL]
- Recording tape
- Digit-key remote controller(provided)

4.1.3 Required adjustment tools

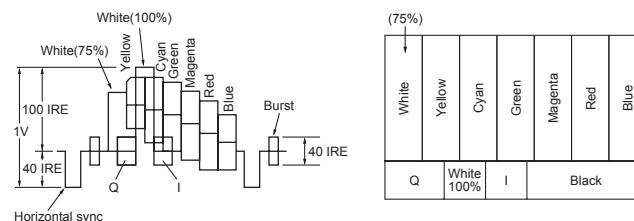
● : Used --- : Not used

	Mechanism compatibility adjustment	Electrical adjustment
Roller driver	●	---
Jig RCU	---	●
Back tension cassette gauge	●	---
Alignment tape (MHP, MHPE)	●	---
Alignment tape (MHP-L, MHPE-L)	●	●

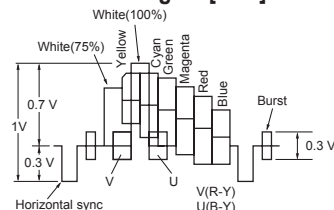
Roller driver PTU94002	Jig RCU PTU94023B	Back tension cassette gauge PUJ48076-2
Alignment tape (SP, stairstep, PAL) MHPE	Alignment tape (LP, stairstep, PAL) MHPE-L	DVD test disc VT-501
Alignment tape (SP, stairstep, NTSC) MHP	Alignment tape (EP, stairstep, NTSC) MHP-L	CD-DA test disc CTS-1000

4.1.4 Color (colour) bar signal, Color (colour) bar pattern

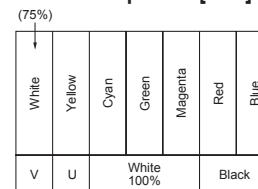
- Color (colour) bar signal [NTSC] • Color (colour) bar pattern [NTSC]



- Colour bar signal [PAL]



- Colour bar pattern [PAL]



4.1.5 Switch settings

When adjusting this unit, set the VCR mode and switches as described below.

- When using the Jig RCU, it is required to set the VCR to the Jig RCU mode (the mode in which codes from the Jig RCU can be received). (See "section 2 SPECIFIC SERVICE INSTRUCTIONS".)

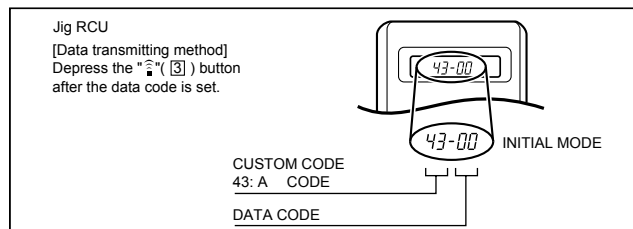


Fig.4-1a Jig RCU [PTU94023B]

- Set the switches as shown below unless otherwise specified on the relevant adjustment chart. The switches that are not listed below can be set as desired. If the VCR is not equipped with the functions detailed below, setup is not required.

AUTO PICTURE/VIDEO CALIBRATION/ B.E.S.T./D.S.P.C.	OFF
PICTURE CONTROL/SMART PICTURE	NORMAL/NATURAL
VIDEO STABILIZER	OFF
TBC	ON
Digital 3R	ON
VIDEO NAVIGATION/TAPE MANAGER	OFF
BLUE BACK	OFF

4.1.6 Manual tracking mode (Auto tracking ON/OFF) setting

(1) In order to set to the manual tracking mode during tape playback, press the "SP/EP(LP)" button on the remote control unit.

- Each press of the button switches the auto tracking ON or OFF.
- When the manual tracking mode is set, the tracking is placed at the center position.

(2) Press "channel +/-" to adjust the tracking manually.

4.2 Mechanism compatibility adjustment [VHS SECTION]

Note:

- Although compatibility adjustment is very important, it is not necessary to perform this as part of the normal servicing work. It will be required when you have replaced the A/C head, drum assembly or any part of the tape transport system.
- To prevent damaging the alignment tape in the compatibility adjustment, prepare a cassette tape (for self-recording/playback), perform a test on it by transporting it and making sure that the tape is not bent by the tape transport mechanisms such as in the guide rollers. (See Fig.4-2b.)

4.2.1 Tension pole position

Note:

- This adjustment must be performed every time the tension band is replaced.

Signal	(A)	• Back tension cassette gauge [PUJ48076-2]
Mode	(B1) (B2)	• PB • Eject end
Adjustment part	(F)	• Adjust pin [Mechanism assembly]
Specified value	(G)	• 25 - 51 gf·cm (2.45 - 5 x 10 ⁻³ Nm)

- (1) Play back the back tension cassette gauge (A).
- (2) Check that the indicated value on the left side gauge is within the specified value (G).
- (3) If the indicated value is not within the specified value (G), perform the adjustment in a following procedure. (See Fig.4-2a.)

- a) Remove the top frame, cassette holder and side frames (L/R) all together. (Refer to the SERVICE MANUAL No.86700 [MECHANISM ASSEMBLY].)
- b) Rotate the loading motor gear to move the control plate so that the triangular stamping to the left of the "P" stamping is aligned with the stamping (a) on the main deck. This positioning is mode (B1).
- c) Adjust by turning the adjustment pin so that the tip of the tension arm is aligned with the stamping (b) on the main deck.
- d) Rotate the reel disk (S) by about one turn clockwise and make sure that the round hole of the adjustment pin is located in the "OK" range. If it is outside this range, restart the adjustment from the beginning.

After completion of the adjustment, rotate the loading gear motor to return it to the mode (B2) position.

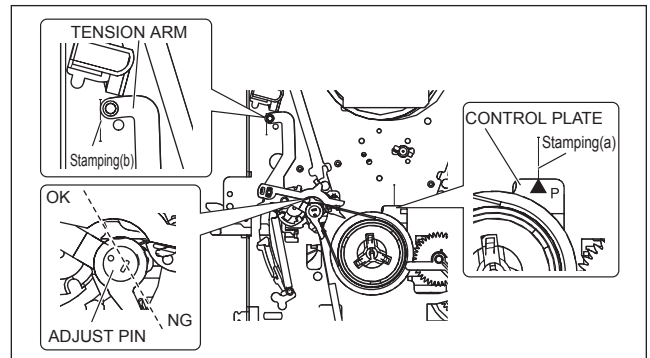


Fig.4-2a

4.2.2 FM waveform linearity

Signal	(A1)	• Alignment tape(SP, stairstep, PAL) [MHPE] • Alignment tape(LP, stairstep, PAL) [MHPE-L] (UA Model)
	(A2)	
Signal	(A1)	• Alignment tape(SP, stairstep, PAL) [MHP] • Alignment tape(EP, stairstep, PAL) [MHP-L] (UJ, UM Model)
	(A2)	
Mode	(B)	• PB
Equipment	(C)	• Oscilloscope
Measuring point	(D)	• TP106 (PB, FM)
External trigger	(E)	• TP111 (D, FF)
Adjustment part	(F)	• Guide roller [Mechanism assembly]
Specified value	(G)	• Flat V. PB FM waveform
Adjustment tool	(H)	• Roller driver [PTU94002]

- (1) Play back the alignment tape (A1).
- (2) Apply the external trigger signal to D.FF (E), to observe the V.PB FM waveform at the measuring point (D).
- (3) Set the VCR to the manual tracking mode.
- (4) Make sure that there is no significant level drop of the V.PB FM waveform caused by the tracking operation, with its generally parallel and linear variation ensured. Perform the following adjustments when required. (See Fig. 4-2c.)
- (5) Reduce the V.PB FM waveform by the tracking operation. If a drop in level is found on the left side, turn the guide roller of the pole base assembly (supply side) with the roller driver to make the V.PB FM waveform linear. If a drop in level is on the right side, likewise turn the guide roller of the pole base assembly (take-up side) with the roller driver to make it linear. (See Fig. 4-2c.)
- (6) Make sure that the V.PB FM waveform varies in parallel and linearly with the tracking operation again. When required, perform fine-adjustment of the guide roller of the pole base assembly (supply or take-up side).
- (7) Unload the cassette tape once, play back the alignment tape (A1) again and confirm the V.PB FM waveform.
- (8) After adjustment, confirm that the tape wrinkling does not occur at the roller upper or lower limits. (See Fig. 4-2b.) [Perform adjustment step (9) only for the models equipped with SP mode and EP (or LP) mode.]

[Perform adjustment step (9) only for the models equipped with SP mode and EP (or LP) mode.]

- (9) Repeat steps (1) to (8) by using the alignment tape (A2).

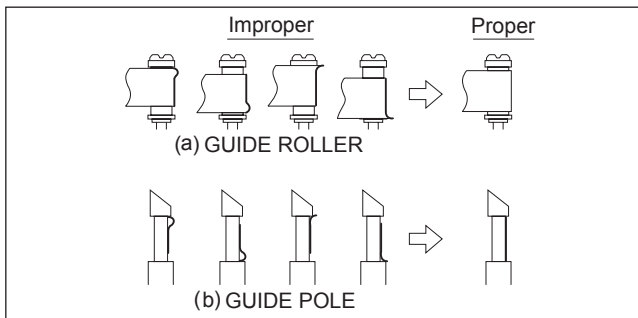


Fig.4-2b

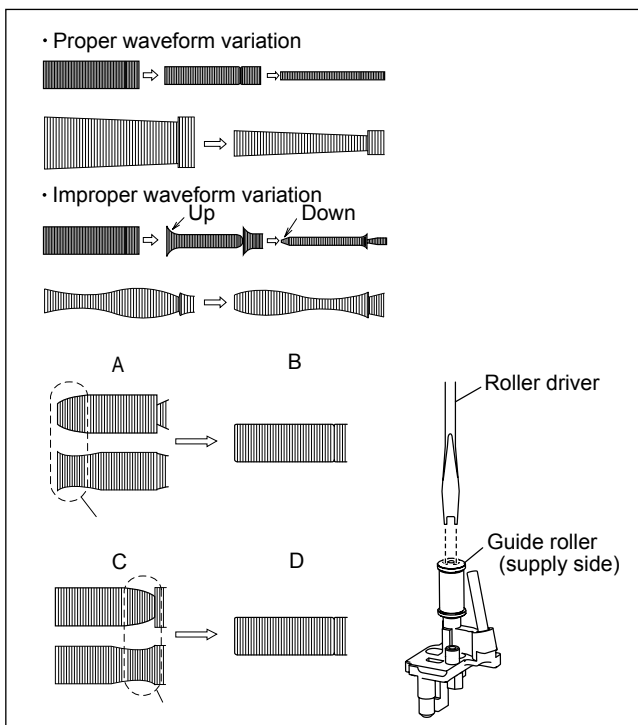


Fig.4-2c

4.2.3 Height and tilt of the A/C head

Note:

- Set a temporary level of the height of the A/C head in advance to make the adjustment easier after the A/C head has been replaced. (Refer to the SERVICE MANUAL No.86700 [MECHANISM ASSEMBLY].)

Signal	(A)	• Alignment tape(SP, stairstep, PAL) [MHPE] (UA Model)
	(A)	• Alignment tape(SP, stairstep, PAL) [MHP] (UJ, UM Model)
Mode	(B)	• PB
Equipment	(C)	• Oscilloscope
Measuring point	(D1)	• TP106 (PB, FM)
	(D2)	• TP4001 (CTL, P)
External trigger	(E)	• TP111 (D, FF)
Adjustment part	(F)	• A/C head [Mechanism assembly]
Specified value	(G)	• Maximum waveform

- (1) Play back the alignment tape (A).
- (2) Apply the external trigger signal to D.FF (E), to observe the AUDIO OUT waveform and Control pulse waveform at the measuring points (D1) and (D2) in the ALT mode.
- (3) Set the VCR to the manual tracking mode.

- (4) Adjust the AUDIO OUT waveform and Control pulse waveform by turning the screws (1), (2) and (3) little by little until both waveforms reach maximum. The screw (1) and (3) are for adjustment of tilt and the screw (2) for azimuth.

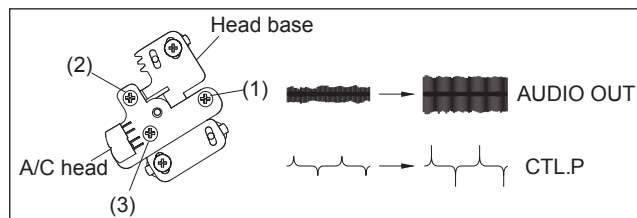


Fig.4-2d

4.2.4 A/C head phase (X-value)

Signal	(A1)	• Alignment tape(SP, stairstep, PAL) [MHPE]
	(A2)	• Alignment tape(LP, stairstep, PAL) [MHPE-L] (UA Model)
	(A1)	• Alignment tape(SP, stairstep, PAL) [MHP]
	(A2)	• Alignment tape(EP, stairstep, PAL) [MHP-L] (UJ, UM Model)
Mode	(B)	• PB
Equipment	(C)	• Oscilloscope
Measuring point	(D)	• TP106 (PB, FM)
External trigger	(E)	• TP111 (D, FF)
Adjustment part	(F)	• A/C head base [Mechanism assembly]
Specified value	(G)	• Flat V. PB FM waveform
Adjustment tool	(H)	• Roller driver [PTU94002]

- (1) Play back the alignment tape (A1).
- (2) Apply the external trigger signal to D.FF (E), to observe the V.PB FM waveform at the measuring point (D).
- (3) Set the VCR to the manual tracking mode.
- (4) Loosen the screws (4) and (5), then set the Roller driver to the innermost projected part of the A/C head. (See Fig. 4-2e.)
- (5) Rotate the roller driver so that the A/C head comes closest to the capstan. From there, move the A/C head back gradually toward the drum until the point where the FM waveform is maximized for the second time, and then tighten the screws (4) and (5) temporarily.
- (6) Play an alignment tape (A2) and set to the manual-tracking mode.
- (7) Fine-adjust A/C head base position to maximize the FM waveform, and then tighten the screws (4) and (5) firmly.
- (8) Play alignment tapes (A1) and (A2) and confirm that the FM waveforms are maximized when the tracking is at the center position.

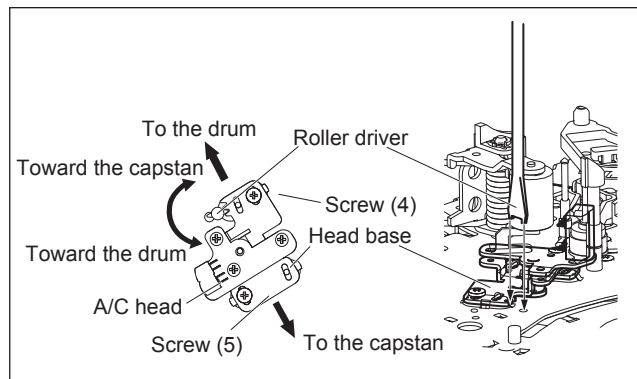


Fig.4-2e

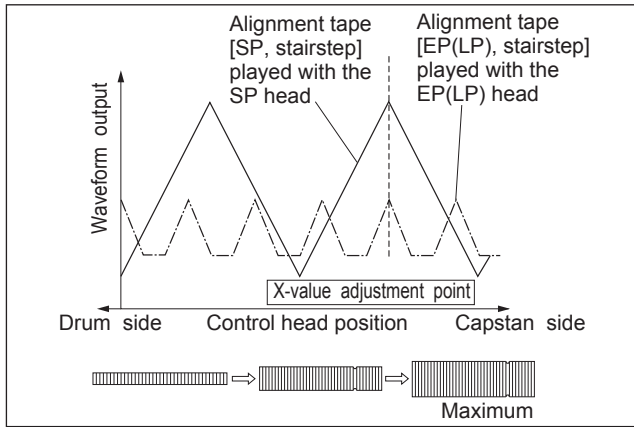


Fig.4-2f

4.3 Electrical adjustment [VHS SECTION]

Note:

The following adjustment procedures are not only necessary after replacement of consumable mechanical parts or board assemblies, but are also provided as references to be referred to when servicing the electrical circuitry.

In case of trouble with the electrical circuitry, always begin a service by identifying the defective points by using the measuring instruments as described in the following electrical adjustment procedures. After this, proceed to the repair, replacement and/or adjustment. If the required measuring instruments are not available in the field, do not change the adjustment parts (variable resistor, etc.) carelessly.

4.3.1 Servo circuit

4.3.1.1 Switching point

Signal	(A1)	• Stairstep signal
	(A2)	• Alignment tape(EP,stairstep,NTSC) [MHP-L]
	(A3)	• Alignment tape(LP,stairstep,PAL) [MHPE-L]
Mode	(B)	• PB
Equipment	(C)	• Oscilloscope
Measuring point	(D)	• VIDEO OUT terminal (75 ohm terminated) • TP106 (PB. FM)
External trigger	(E)	• TP111 (D.FF)
Adjustment part	(F)	• Jig RCU: Code "43-5A"
Specified value	(G)	• 6.5 ± 0.5H
Adjustment tool	(H)	• Jig RCU [PTU94023B]

<UJ,UM Model>

- Play back the signal (A1) of the alignment tape (A2).
- Apply the external trigger signal to D.FF (E) to observe the VIDEO OUT waveform and V.PB FM waveform at the measuring points (D1) and (D2).
- Set the VCR to the manual tracking mode.
- Adjust tracking so that the V.PB FM waveform becomes maximum.
- Set the VCR to the Auto adjust mode by transmitting the code (F) from the Jig RCU. When the VCR enters the stop mode, the adjustment is completed.
- If the VCR enters the eject mode, repeat steps (1) to (5) again.
- Play back the alignment tape (A2) again, confirm that the switching point is the specified value (G).

<UA Model>

- Play back the signal (A1) of the alignment tape (A3).
- Perform the above steps (2) to (6).

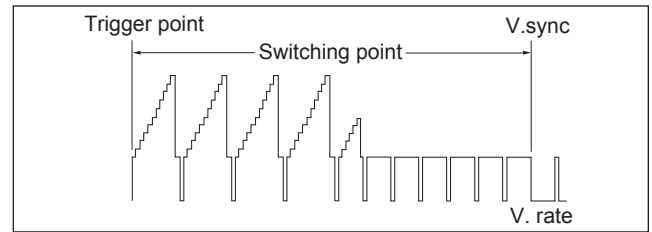


Fig.4-3a Switching point

4.3.1.2 Slow tracking preset

Signal	(A1)	• Ext. input
	(A2)	• Color (colour) bar signal [NTSC]
	(A3)	• Color (colour) bar signal [PAL-N] (UA Model)
Mode (Notes)	(B1)	• SP/EP
	(B2)	UA Model • SP/LP
Measuring point	(D)	• TV-Monitor
Adjustment part	(F)	• Jig RCU: Code "43-71" or "43-72"
Specified value	(G)	• Minimum noise
Adjustment tool	(H)	• Jig RCU [PTU94023B]

- Record the signal (A2) in the mode (B1), and play back the recorded signal.
- Set the VCR to the manual tracking mode.
- Set the VCR to the FWD slow (+1/6x) mode.
- Transmit the code (F) from the Jig RCU to adjust so that the noise bar becomes the specified value (G) on the TV monitor in the slow mode.
- Set the VCR to the Stop mode.
- Confirm that the noise bar is (G) on the TV monitor in the slow mode.

<UA Model>

- Record the signal (A3) in the mode (B2), and play back the recorded signal.
- Repeat steps (2) to (6).

Note:

- For FWD slow (+1/6x) playback, transmit the code "43-08" from the Jig RCU to enter the slow playback mode, and transmit the code "43-D0" for REV slow (+1/6x) mode.

4.3.2 Syscon circuit [UA, UM MODELS]

Notes:

- When perform this adjustment, remove the Mechanism assembly.

4.3.2.1 Timer clock

Signal	(A1)	• No signal
Mode	(B)	• EE
Equipment	(C)	• Frequency counter
Measuring point	(D1)	• IC3001 pin 44
	(D2)	• IC3001 pin 103
	(D3)	• C3054 + and -
Adjustment part	(F)	• C3025 (TIMER CLOCK)
Specified value	(G)	• 1024.008 ± 0.001 Hz (976.5549 ± 0.0010 usec)

- Connect the frequency counter to the measuring point (D1).
- Connect the short wire between the short point (D2) and Vcc (5V).
- Short the leads of capacitor (D3) once in order to reset the microprocessor of the Syscon.
- Disconnect the short wire between the short point (D2) and Vcc then connect it again.
- Adjust the Adjustment part (F) so that the output frequency becomes the specified value (G).

SECTION 5 TROUBLESHOOTING

Please refer to "HR-XVC27US No.YD008" about this section.



JVC

Victor Company of Japan, Limited
AV & MULTIMEDIA COMPANY DIGITAL VIDEO STORAGE CATEGORY 12, 3-chome, Moriya-cho, kanagawa-ku, Yokohama, kanagawa-prefecture, 221-8528, Japan

(No.YD023)

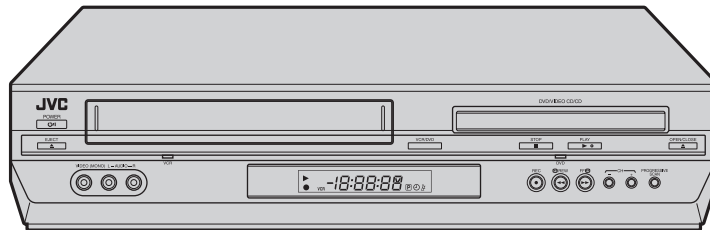
JVC

SCHEMATIC DIAGRAMS

DVD PLAYER & VIDEO CASSETTE RECORDER

HR-XVC27UA, HR-XVC27UM, HR-XVC29UJ

CD-ROM No.SML200409



HR-XVC27UA, HR-XVC27UM, HR-XVC29UJ [D3PV0]

Hi-Fi

VHS (UM, UJ model)

DVD
VIDEO

VHS
N-PAL NTSC (UA model)

SQPB

dtc
20+DIGITAL OUT

DOLBY
DIGITAL

3D
3D-PHONIC

COMPACT
disc
DIGITAL VIDEO

COMPACT
disc
DIGITAL AUDIO

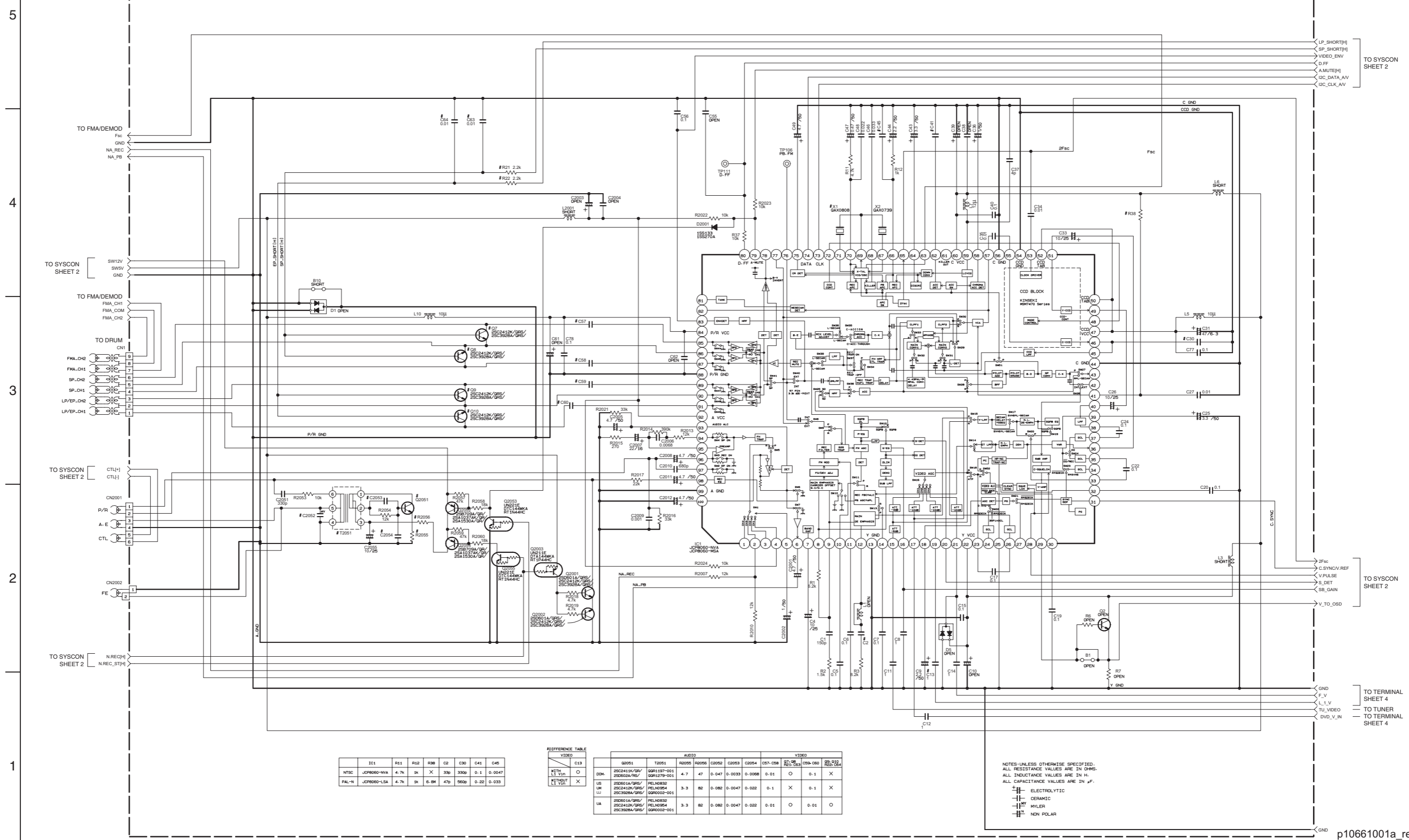
COMPACT
disc
SUPER VIDEO

For disassembling and assembling of MECHANISM ASSEMBLY, refer to the SERVICE MANUAL No.86700 (MECHANISM ASSEMBLY).
Regarding service information other than these sections, refer to the service manual No. YD008 (HR-XVC27US).
Also, be sure to note important safety precautions provided in the service manual.

CHARTS AND DIAGRAMS

MAIN(VIDEO/N.AUDIO) SCHEMATIC DIAGRAM

03 MAIN(VIDEO/N.AUDIO)



IC1	R11	R12	R38	C2	C30	C41	C45
NTSC JCP800-NVA	4.7K	1K	X	330	3300	0.1	0.0047
PAL-N JCP800-LSA	4.7K	1K	6.8H	470	5600	0.22	0.033

		AUDIO							VIDEO					
VIDEOP		Q2015	T2051	R2035	R2056	Q2032	Q2053	C2054	C2058	Q2059	Q2060	Q2061	Q2062	Q2063
WITH	L1	V1N	O	O	O	O	O	O	O	O	O	O	O	O
WITHOUT	L1	V1N	X											
DOH	28C2414/GR/ 25D602A/RS/	Q991197-001 DGR1279-001	4.7	47	0.047	0.0033	0.0068	0.01	O	O	0.1	X		
LS	25D601A/GR/ 25C2412B/GR/ 25C3928A/GR/ GDR0002-001	RELN0832 RELN0904 GDR0002-001	3.3	82	0.082	0.0047	0.022	0.1	X	O	0.1	X		
UA	25D601A/GR/ 25C2412B/GR/ 25C3928A/GR/	RELN0832 RELN0904 GDR0002-001	3.3	82	0.082	0.0047	0.022	0.01	O	O	0.01	O		

NOTES: UNLESS OTHERWISE SPECIFIED,
ALL RESISTANCE VALUES ARE IN OHMS.
ALL INDUCTANCE VALUES ARE IN H.
ALL CAPACITANCE VALUES ARE IN μ F.

ELECTROLYTIC
 CERAMIC
 MYLAR
 NON POLAR

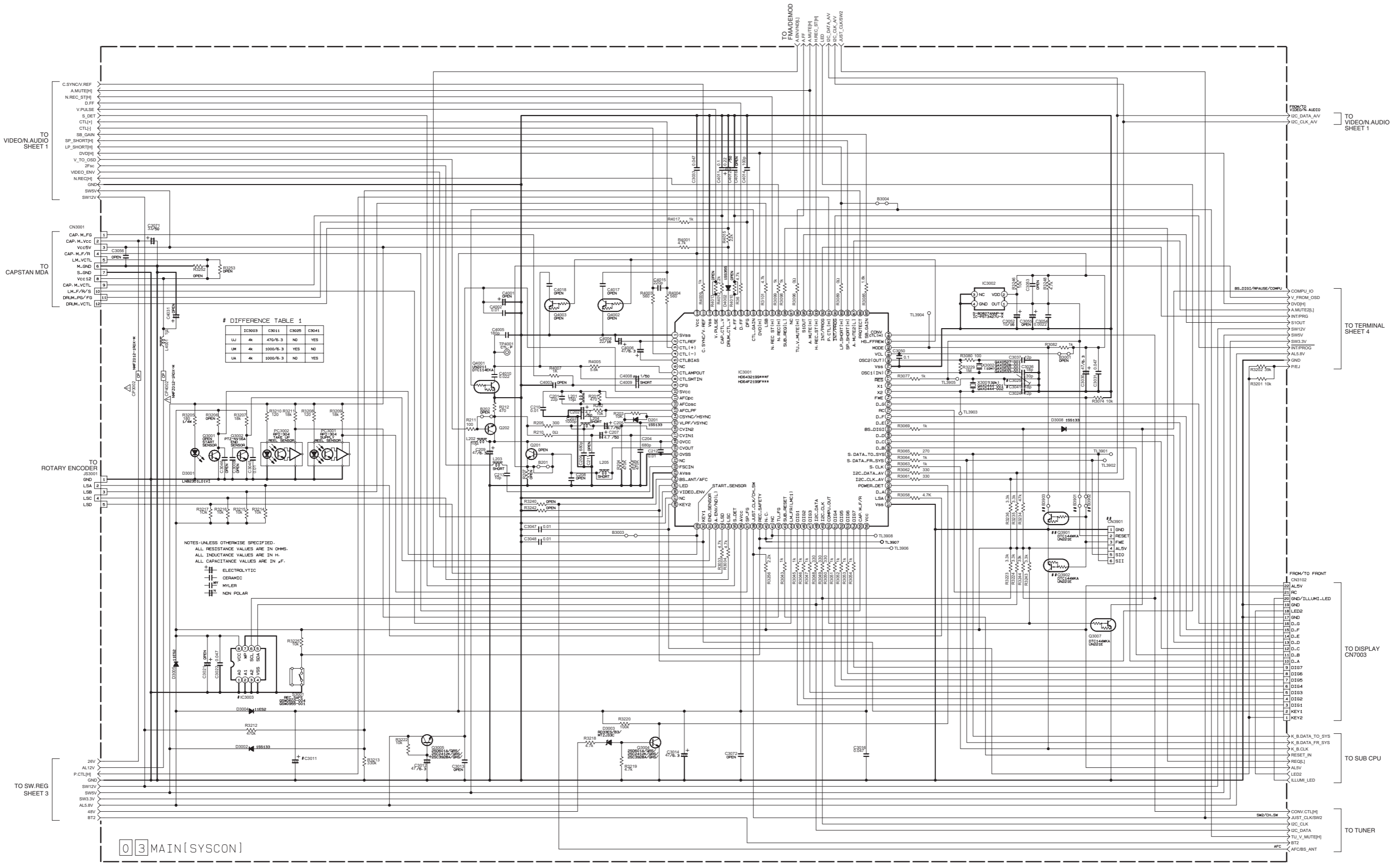
TO SYSCON SHEET 2
 LP_SHORT(H)
 SP_SHORT(H)
 VIDEO_ENV
 D_FF
 AMUTE(H)
 DC_DATA_AV
 DC_CLK_AV

TO SYSCON SHEET 2
 C_SYNC
 2FAC
 C_SYNC/REF
 V_PULSE
 S_DET
 SB_GAIN
 V_TO OSD

TO TERMINAL SHEET 4
 GND
 F_V
 L1_V
 TU_VIDEO
 DVD_V_IN

MAIN(SYSCON) SCHEMATIC DIAGRAM

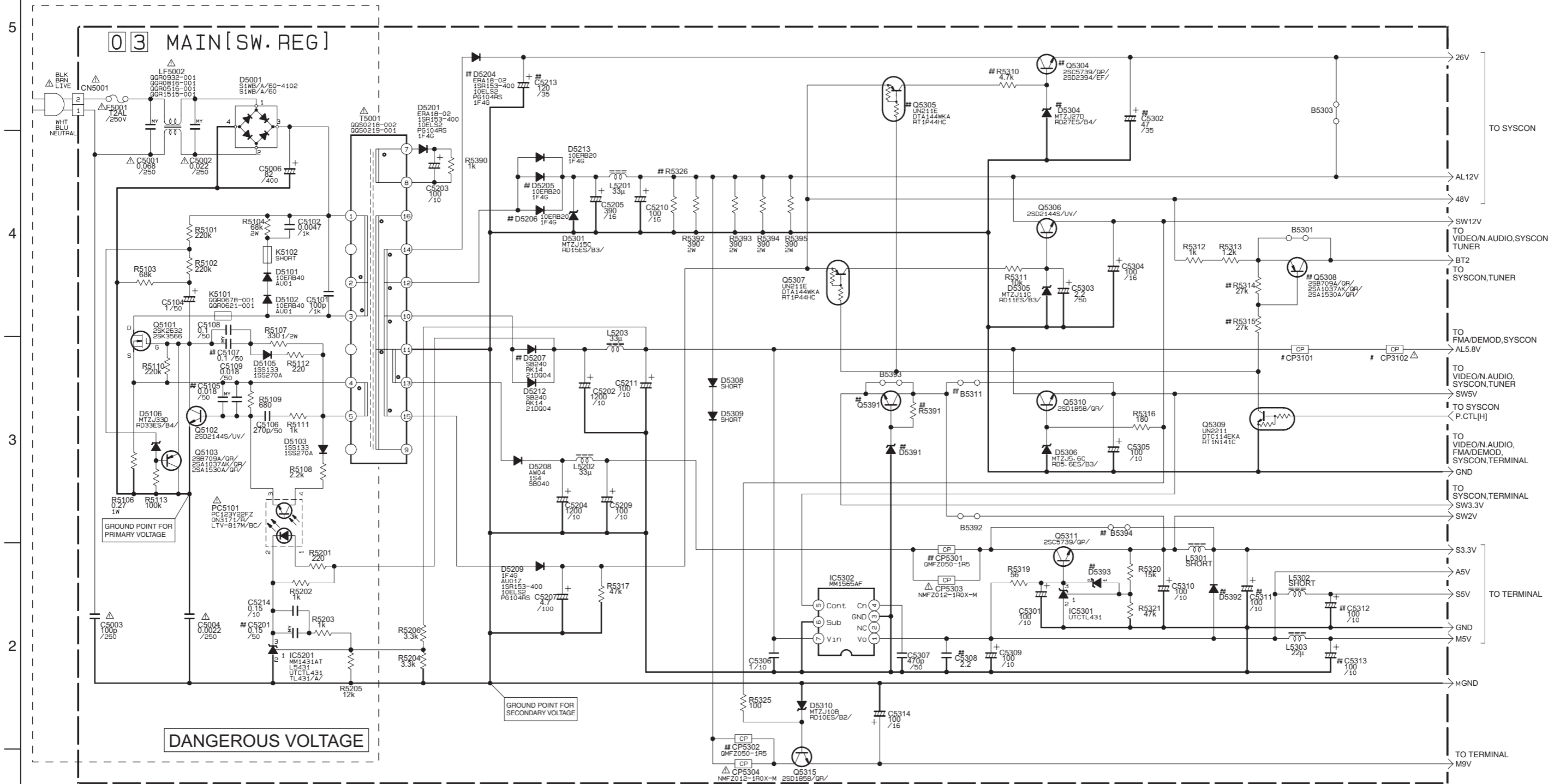
5
4
3
2
1



03 MAIN[SYSCON]

A B C D E F G

MAIN(SW.REG) SCHEMATIC DIAGRAM



MARK ELEMENTS ARE NOT MOUNTED

DIFFERENCE TABLE 1

	CP3101	CP3102
UJ	NMFZ012-1R0X-M	SHORT
UA/UM	SHORT	GMFZ049-1R5Z-E

NOTES: UNLESS OTHERWISE SPECIFIED.
ALL RESISTANCE VALUES ARE IN OHMS.
ALL INDUCTANCE VALUES ARE IN H.
ALL CAPACITANCE VALUES ARE IN μF.

- ⊕ - ELECTROLYTIC
- ⊖ - CERAMIC
- MY - MYLER
- ⊖ - NON POLAR

MAIN(TERMINAL) SCHEMATIC DIAGRAM

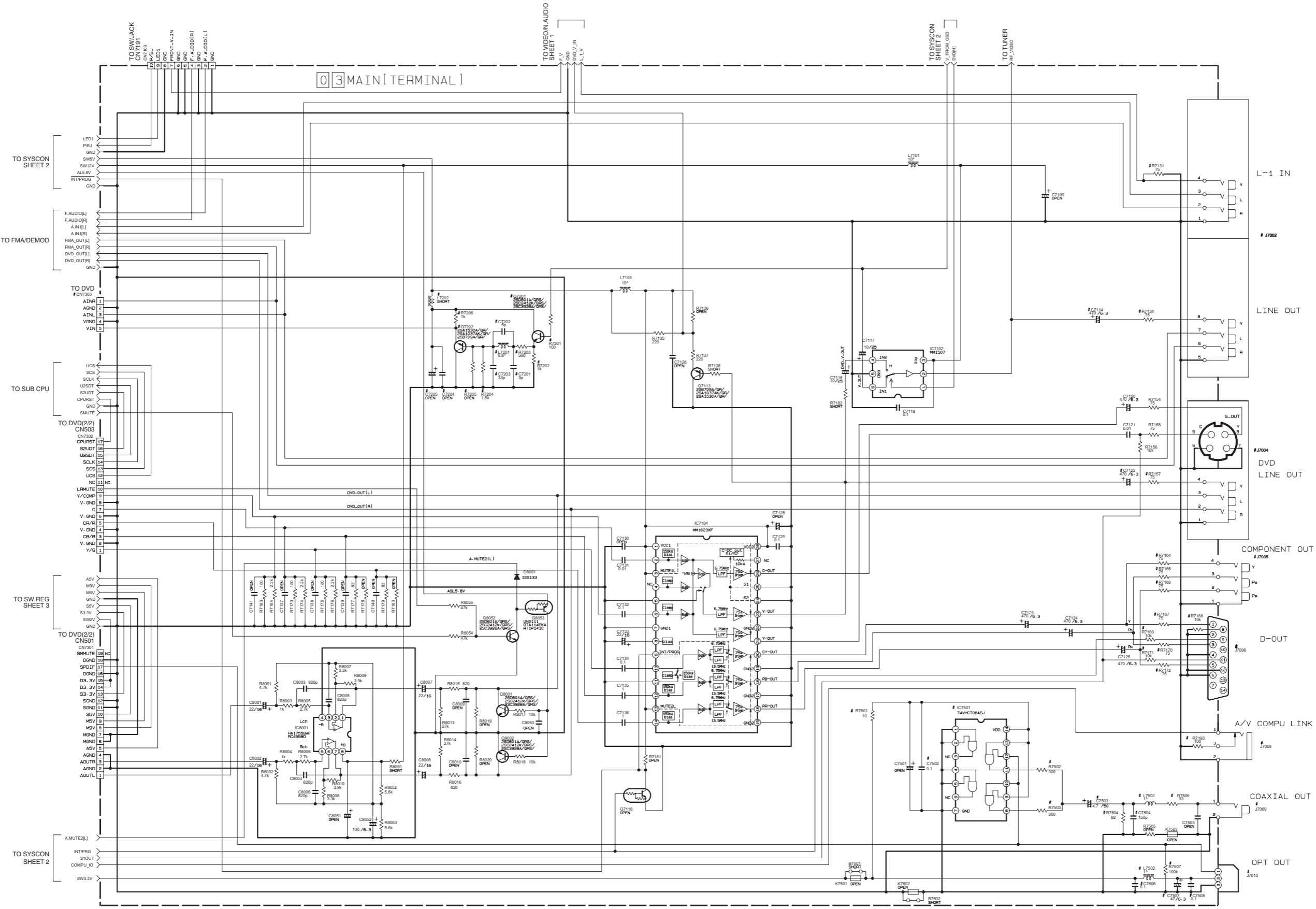
5

4

3

2

1



DIFFERENCE TABLE

	07190	07191	07192	07193
BS DIGITAL LINK REC	X	X	X	X
REMOTE PAUSE	X	X	X	X

	07190	07191	07192	07193
SPT OUT	X	X	X	X
COAXIAL OUT	X	X	X	X
TV IN	X	X	X	X
TV OUT	X	X	X	X
LI V IN	X	X	X	X

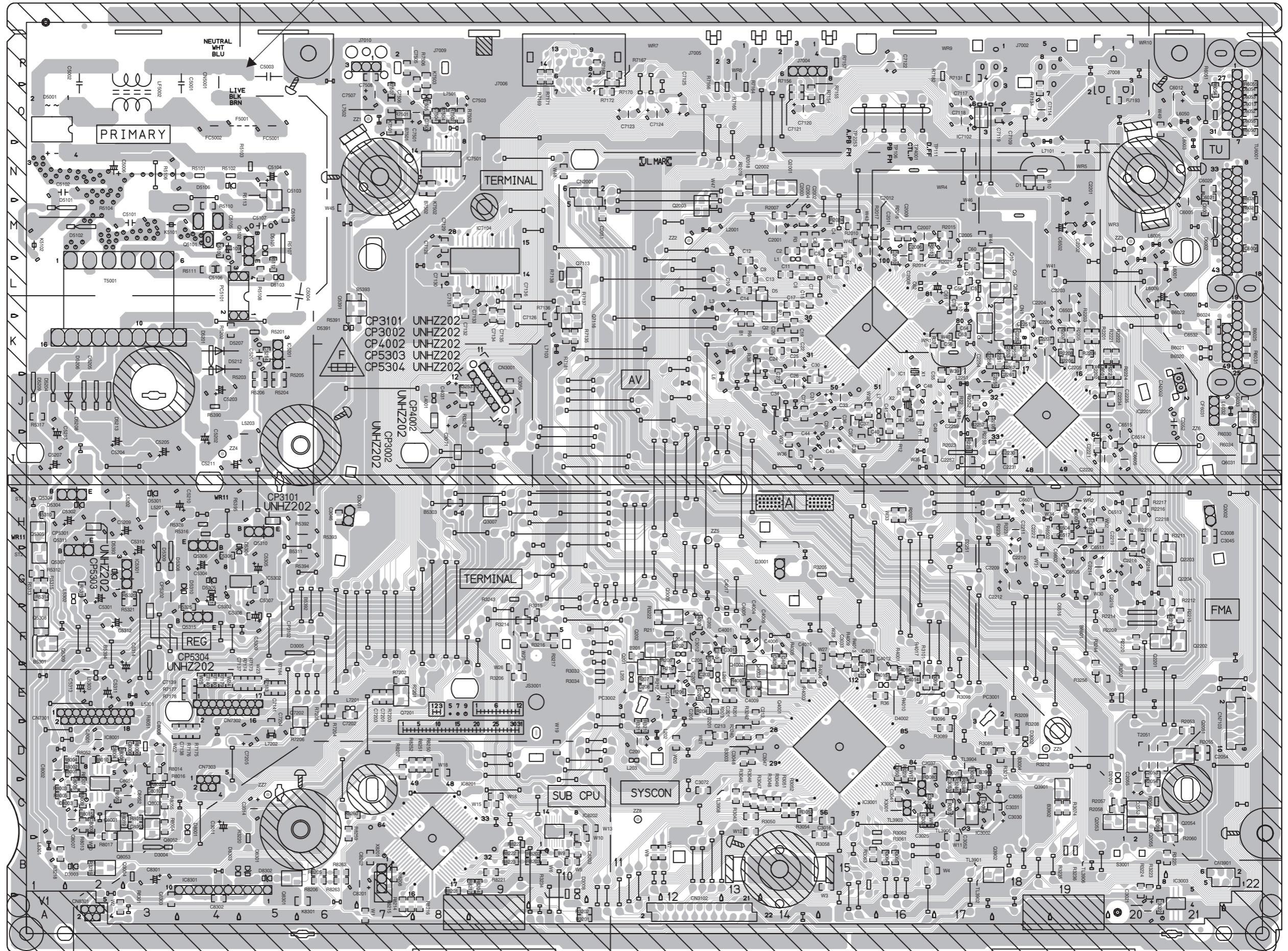
	07190	07191	07192	07193
DVD OUT	X	X	X	X
07190	X	X	X	X
07191	X	X	X	X
07192	X	X	X	X
07193	X	X	X	X

NOTES: UNLESS OTHERWISE SPECIFIED:
 ALL RESISTANCE VALUES ARE IN OHMS.
 ALL INDUCTANCE VALUES ARE IN H.
 ALL CAPACITANCE VALUES ARE IN pF.
 +ELECTROLYTIC
 -CERAMIC
 ALL END-TYPE TRANSISTORS ARE
 SMD TYPE

MAIN CIRCUIT BOARD

<03>MAIN
LPB10258-001B

DANGEROUS VOLTAGE



COMPONENT PARTS LOCATION GUIDE <MAIN> LPB10258-001B

REF.NO.	LOCATION	REF.NO.	LOCATION	REF.NO.	LOCATION	REF.NO.	LOCATION	REF.NO.	LOCATION	REF.NO.	LOCATION	REF.NO.	LOCATION
CAPACITOR													
C1	B C 15L	C2262	B C 18K	G7114	A D 180	IC	R21	B C 17J	R3225	B C 21B	R7507	B C 70	
C2	B C 14M	C3008	B C 21H	G7117	A D 170	IC1	R22	B C 17J	R3229	B C 16D	R8001	B C 2D	
C4	B C 15M	C3011	A D 4C	G7118	A D 170	IC2201	B C 15K	R3232	B C 16E	R3234	A D 10B	R8002	B C 2D
C5	B C 14M	C3012	A D 12F	G7119	A D 180	IC3001	B C 15D	R3235	B C 16F	R3236	A D 19B	R8003	B C 1C
C6	B C 14M	C3013	B C 13F	G7120	A D 140	IC3002	B C 17C	R3238	B C 13K	R3246	A D 19B	R8004	B C 2D
C7	B C 14M	C3014	A D 5C	G7121	A D 140	IC3003	B C 21A	R201	B C 13E	R3240	B C 13D	R8005	B C 1C
C8	B C 14L	C3016	B C 15C	G7122	A D 16P	IC5201	A D 51A	R202	B C 13F	R3242	B C 13D	R8006	B C 3D
C9	B C 14L	C3021	A D 20A	G7123	A D 110	IC5301	A D 3G	R203	B C 13E	R3243	A D 9G	R8007	B C 2C
C10	A D 13L	C3022	B C 20A	G7124	A D 120	IC5302	B C 5G	R204	B C 13E	R3244	B C 19E	R8008	B C 2D
C11	A D 13L	C3024	B C 16C	G7125	A D 120	IC7102	B C 170	R205	B C 12F	R3246	B C 17C	R8009	B C 2C
C12	B C 14L	C3025	A D 17C	G7126	B C 10K	IC7104	B C 9L	R206	B C 12E	R3248	B C 17C	R8010	B C 2D
C13	B C 13L	C3030	A D 18C	G7128	A D 8M	IC7501	B C 8N	R207	B C 12E	R3252	B C 8J	R8013	B C 2C
C14	B C 13L	C3031	B C 18C	G7129	B C 8M	IC8001	B C 2C	R210	B C 12E	R3253	B C 8J	R8014	B C 3D
C15	B C 13L	C3033	B C 15F	G7130	B C 8L	IC8201	B C 8B	R211	A D 12F	R3256	B C 19E	R8015	B C 2C
C16	B C 14L	C3036	B C 16C	G7131	B C 8L	IC8202	B C 10C	R212	B C 12E	R4001	B C 16E	R8016	B C 3D
C17	B C 14L	C3037	B C 16D	G7132	B C 8L	IC8301	A D 5B	R2007	B C 14M	R4003	B C 14E	R8017	B C 2C
C19	B C 14K	C3041	B C 16C	G7133	A D 9L			R2010	B C 15M	R4004	B C 14E	R8018	B C 3C
C20	B C 14K	C3045	B C 21H	G7134	B C 9L	COIL		R2013	B C 15M	R4005	B C 14E	R8019	B C 3C
C22	B C 14K	C3046	B C 6H	G7135	B C 9K	L1	A D 14L	R2014	B C 16M	R4007	B C 13E	R8020	B C 3C
C24	B C 14K	C3047	B C 13D	G7136	B C 9L	L3	A D 13L	R2015	B C 17M	R4009	B C 15F	R8051	A D 3D
C25	A D 14K	C3048	B C 13D	G7137	B C 4E	L5	A D 13K	R2016	B C 16M	R4010	B C 16E	R8052	B C 2D
C26	A D 14J	C3050	B C 16D	G7138	B C 4D	L6	A D 13J	R2017	B C 15M	R4012	B C 15E	R8053	B C 2C
C27	B C 14J	C3052	A D 17C	G7139	B C 4E	L7	A D 16J	R2018	B C 13N	R4013	B C 15E	R8054	B C 3C
C30	B C 14J	C3053	B C 17C	G7140	B C 4E	L10	A D 17K	R2019	B C 13N	R4015	B C 16E	R8055	B C 3C
C31	A D 15J	C3054	B C 17C	G7141	B C 5E	L201	A D 13E	R2021	B C 17M	R4017	B C 16E	R8201	B C 8B
C33	A D 15J	C3055	A D 17C	G7201	B C 7E	L202	A D 12D	R2022	B C 16H	R5101	A D 4N	R8202	B C 10B
C34	B C 14J	C3056	B C 9J	G7202	B C 6E	L203	A D 11D	R2023	A D 17I	R5102	A D 4N	R8203	B C 10B
C35	B C 15J	C3071	A D 8J	G7203	B C 7E	L204	A D 12F	R2024	B C 15M	R5103	A D 5N	R8204	B C 9B
C36	A D 15J	C3072	B C 13C	G7204	B C 5D	L205	A D 11E	R2053	B C 21D	R5104	A D 2M	R8205	B C 6B
C37	B C 15J	C4001	A D 13F	G7205	A D 5D	L2001	A D 12M	R2054	B C 20C	R5106	A D 3N	R8206	B C 6B
C38	B C 15I	C4002	B C 12F	G7501	A D 80	L2251	A D 17J	R2055	B C 21D	R5107	A D 5M	R8207	B C 7D
C39	A D 15J	C4003	B C 13E	G7502	B C 80	L4001	A D 8J	R2056	A D 20C	R5108	B C 5L	R8208	B C 7B
C40	B C 15J	C4004	A D 13F	G7503	A D 80	L5201	A D 3H	R2057	B C 20C	R5109	B C 4M	R8214	B C 7A
C41	B C 16J	C4005	B C 13F	G7504	B C 80	L5202	A D 2H	R2058	B C 20C	R5110	B C 4M	R8215	B C 7A
C43	A D 15I	C4006	A D 14F	G7505	B C 7P	L5203	A D 4I	R2059	B C 20C	R5111	B C 4L	R8216	B C 8A
C44	A D 14I	C4008	A D 13F	G7506	B C 70	L5301	A D 3E	R2060	B C 21B	R5112	B C 5L	R8217	B C 9B
C45	B C 16J	C4009	B C 13E	G7507	A D 70	L5302	A D 2G	R2201	B C 19K	R5113	B C 5N	R8221	B C 9B
C46	B C 16J	C4010	B C 14F	G7508	A D 70	L5303	A D 2E	R2202	B C 19K	R5201	A D 5K	R8222	B C 9B
C47	A D 15I	C4011	B C 15F	G8001	A D 2D	L6001	A D 21L	R2203	B C 19K	R5202	B C 4K	R8223	B C 9B
C48	B C 16J	C4012	A D 15E	G8002	A D 1D	L6003	A D 210	R2204	B C 19K	R5203	B C 5J	R8227	B C 9B
C49	A D 17J	C4014	B C 16E	G8003	B C 2C	L6005	A D 21M	R2205	B C 19K	R5204	B C 5J	R8250	B C 8D
C55	B C 17J	C4015	B C 14E	G8004	B C 2D	L6006	A D 20L	R2206	B C 19K	R5205	B C 5J	R8251	B C 8D
C56	B C 17K	C4016	B C 16E	G8005	B C 2C	L6032	A D 22J	R2207	B C 19K	R5206	B C 5J	R8252	B C 7D
C57	B C 17L	C4017	A D 13F	G8006	B C 3D	L6050	A D 210	R2208	B C 19K	R5310	B C 1H	R8259	B C 6C
C58	B C 17L	C4018	B C 14F	G8007	A D 2C	L7101	A D 190	R2209	A D 20F	R5311	B C 4G	R8260	B C 6C
C59	B C 17L	C4031	A D 8J	G8008	A D 3D	L7103	A D 10K	R2210	B C 21F	R5312	B C 1G	R8262	B C 6B
C60	B C 17M	C5001	A D 4F	G8009	B C 2C	L7201	A D 7E	R2211	B C 20H	R5313	B C 1G	R8263	B C 6B
C61	A D 17L	C5002	A D 2F	G8010	B C 3C	L7202	A D 5D	R2212	B C 21G	R5314	B C 1G	R8301	A D 3B
C62	A D 16L	C5003	A D 5F	G8051	A D 3D	L7501	A D 80	R2213	B C 21F	R5315	B C 1G		
C63	B C 17K	C5004	A D 6L	G8052	A D 3C	L7502	A D 70	R2214	A D 20F	R5316	A D 4H	OTHER	
C64	B C 17K	C5006	A D 2N	G8053	B C 3C	L8301	A D 1C	R2216	B C 20H	R5317	B C 1J	CF6031	A D 21J
C77	B C 14J	C5101	A D 2M	G8201	A D 7B	LF5002	A D 30	R2217	B C 20H	R5319	B C 2G	CP3002	B C 8I
C78	B C 17L	C5102	A D 2N	G8202	B C 7B			R2218	B C 20G	R5320	B C 3G	CP3101	B C 5H
C201	B C 13E	C5104	A D 5N	G8203	B C 10B	TRANSISTOR		R2219	B C 20H	R5321	B C 3G	CP3102	A D 5F
C202	A D 13F	C5105	A D 4M	G8301	A D 3B	Q2	B C 14L	R2220	B C 20F	R5325	B C 4F	CP4002	B C 8J
C203	B C 13E	C5106	B C 4L	G8302	B C 4A	Q7	B C 17K	R2221	B C 19K	R5326	A D 4H	CP5001	A D 2H
C204	B C 12E	C5107	A D 5M	G8303	B C 3A	Q8	B C 18L	R2222	B C 20K	R5390	A D 4J	CP5002	A D 3F
C205	A D 12E	C5108	B C 5M			Q9	B C 18L	R2223	B C 20K	R5391	B C 6K	CP5003	B C 2H
C206	B C 12E	C5109	B C 4M	CONNECTOR		Q10	B C 18M	R2224	B C 20K	R5392	A D 5H	CP5004	B C 3F
C207	A D 12E	C5201	A D 5K	CN1	A D 18K	Q201	B C 12E	R2230	B C 18H	R5393	A D 5H	F5001	A D 50
C208	B C 12E	C5202	A D 4I	CN2001	A D 11M	Q202	B C 12F	R2231	B C 17H	R5394	A D 5G	FC5001	A D 50
C209	A D 11D	C5203	A D 4J	CN2002	A D 21J	Q2001	B C 14N	R2251	B C 18I	R5395	A D 5H	FC5002	A D 40
C210	B C 13F	C5204	A D 2I	CN3001	A D 9J	Q2002	B C 14N	R2252	B C 17J	R6020	B C 22N	J7002	A D 18P
C211	B C 12E	C5205	A D 3I	CN3102	A D 12A	Q2003	B C 12M	R2255	B C 18I	R6021	B C 22M	J7004	A D 14P
C212	B C 13E	C5207	A D 1I	CN3901	A D 22B	Q2051	B C 21D	R2257	B C 17J	R6030	B C 22J	J7005	A D 13P
C213	B C 13D	C5209	A D 2H	CN5001	A D 4F	Q2052	B C 20C	R3033	A D 11E	R6031	B C 22K	J7006	A D 10P
C2001	A D 14M	C5210	A D 3H	CN7103	A D 22E	Q2053	B C 20C	R3034	A D 11E	R6034	B C 22I	J7008	A D 20P
C2002	A D 14M	C5211	A D 5I	CN7301	A D 1E	Q2054	B C 21C	R3043	B C 21C	R6050	B C 220	J7009	A D 8P
C2003	A D 14M	C5213	A D 1J	CN7302	A D 4E	Q2055	B C 20C	R3045	B C 13C	R6051	A D 210	J7010	A D 7P
C2004	B C 14M	C5214	A D 5K	CN7303	A D 4C	Q2201	B C 20F	R3046	B C 13C	R6054	B C 210	JS3001	A D 10F
C2005	A D 17M	C5301	A D 2G	CN8301	A D 2A	Q2202	B C 21F	R3047	B C 14C	R6055	B C 22P	K2251	B C 18K
C2006	A D 16M	C5302	A D 1H			Q2203	B C 21G	R3048	B C 14C	R6502	B C 19H	K2252	B C 18K
C2007	A D 16M	C5303	A D 4G	Diode		Q2204	B C 20G	R3049	B C 14C	R7131	B C 17F	K2253	B C 18K
C2008	A D 16L	C5304	A D 4G	D1	B C 18N	Q3001	A D 7H	R3050	B C 13C	R7134	B C 180	K5101	A D 4M
C2009	B C 16M	C5305	A D 5G	D5	B C 14L	Q3002	A D 21H	R3051	B C 14C	R7135	B C 10K	K5102	A D 1M
C2010	B C 16M	C5306	B C 4G	D201	A D 13E	Q3004	B C 2B	R3052	B C 14C	R7136	B C 10L	K7501	B C 70
C2011	A D 16M	C5307	B C 5G	D2001	A D 20D	Q3005	B C 12F	R3053	B C 14C	R7137	B C 10L	K7502	B C 8N
C2012	A D 15M	C5308	B C 5F	D2251	A D 17G	Q3007	B C 9H	R3054	B C 14C	R7138	A D 10L	K7503	B C 8P
C2051	B C 11M	C5309	A D 5F	D3001	A D 14G	Q3901	B C 19C	R3058	B C 15C	R7154	A D 150	K8301	B C 6A
C2052	A D 21I	C5310	A D 3G	D3002	A D 18D	Q3902	B C 18B	R3061	A D 15B	R7155	B C 140	PC085	B C 21A
C2053	B C 20D	C5311	A D 2E	D3003	A D 2B	Q4001	B C 14E	R3062	A D 15C	R7156	B C 140	PC01343	B C 5H
C2054	B C 21D	C5312	A D 2F	D3004	A D 3B	Q4002	B C 13E	R3063	B C 15B				



JVC

Victor Company of Japan, Limited

AV & MULTIMEDIA COMPANY VIDEO DISPLAY CATEGORY 12, 3-chome, Moriya-cho, kanagawa-ku, Yokohama, kanagawa-prefecture, 221-8528, Japan

(No.YD023)



Printed in Japan
WPC

PARTS LIST

[HR-XVC27UA,HR-XVC27UM,HR-XVC29UJ]

* SAFETY PRECAUTION

Parts identified by the \triangle symbol are critical for safety. Replace only with specified part numbers.

* BEWARE OF BOGUS PARTS

Parts that do not meet specifications may cause trouble in regard to safety and performance. We recommend that genuine JVC parts be used.

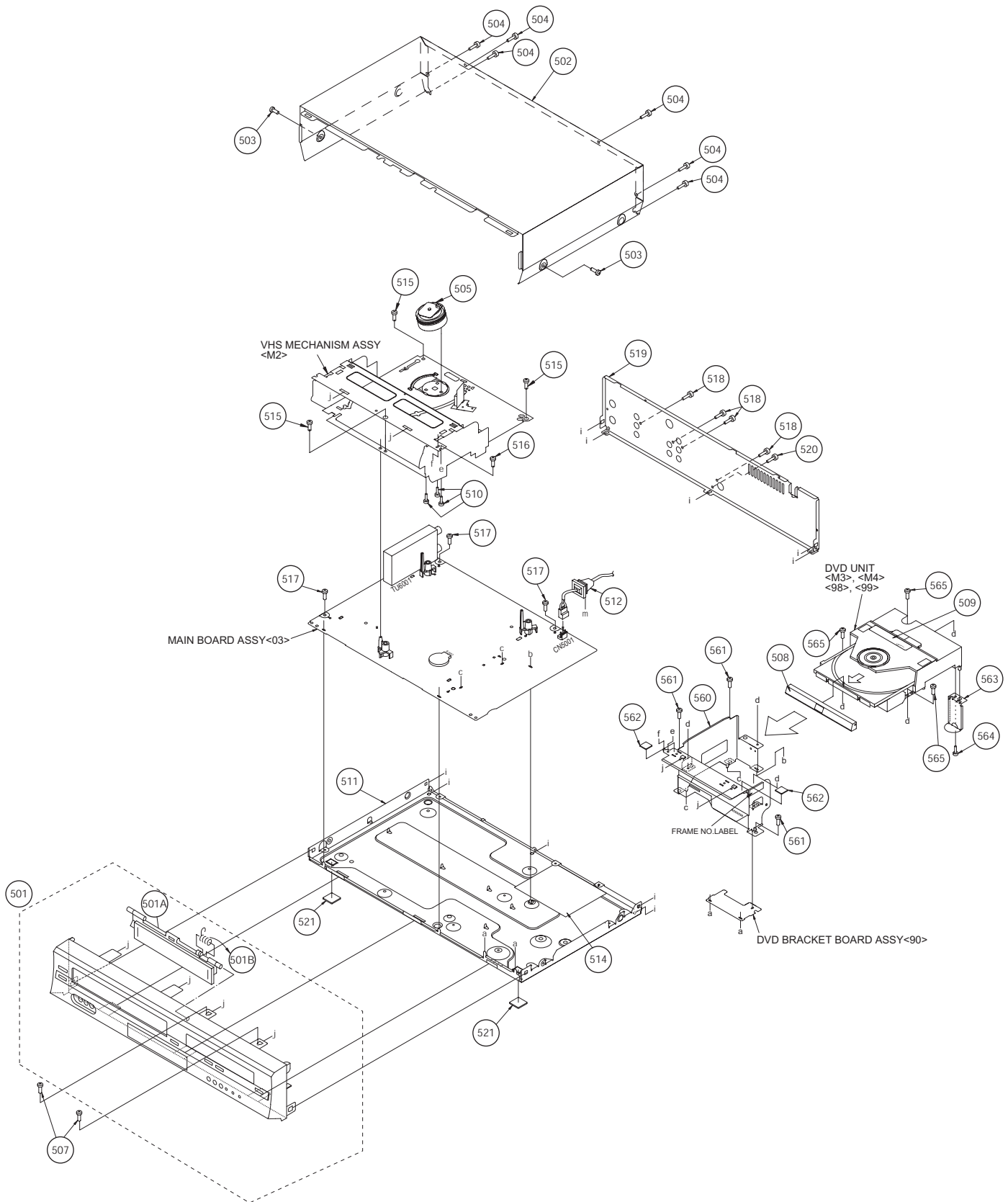
* (x_) in a description column shows the number of the used part.

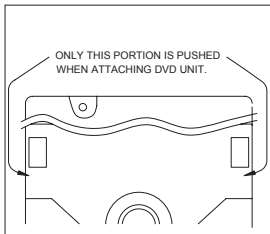
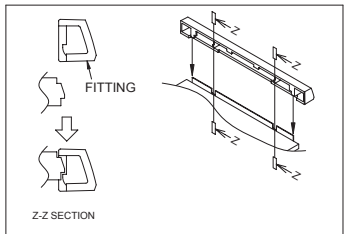
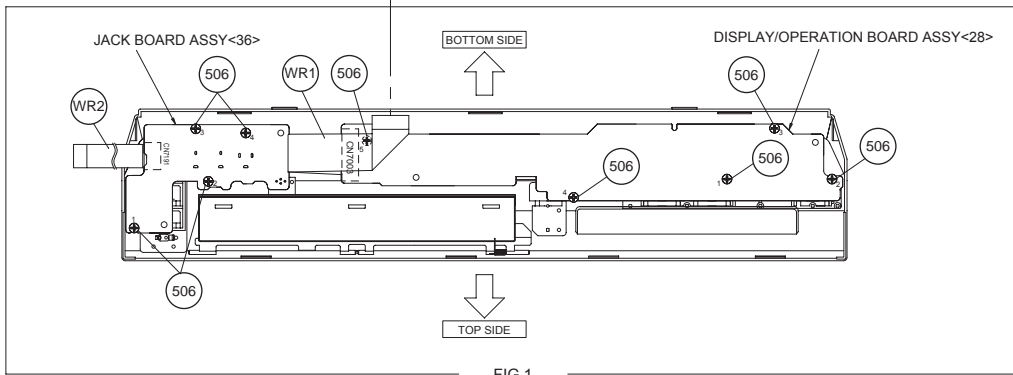
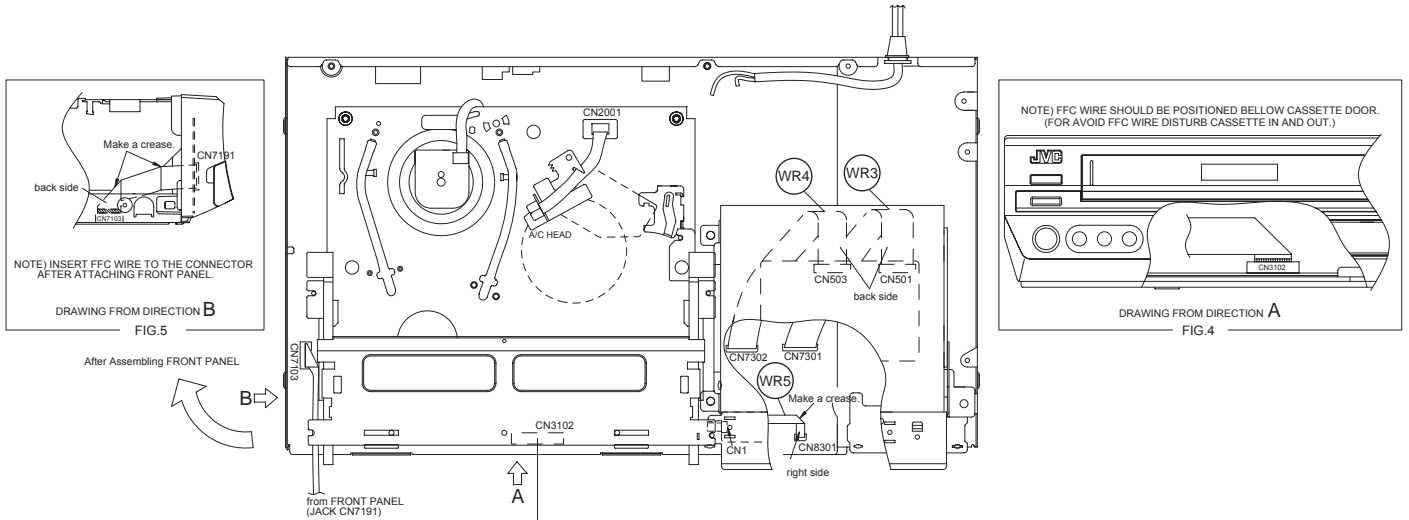
- Contents -

Exploded view of general assembly and parts list	3-2
VHS mechanism assembly and parts list	3-5
DVD Traverse mechanism assembly and parts list	3-8
DVD Loading mechanism assembly and parts list	3-10
Electrical parts list	3-12
Packing materials and accessories parts list	3-20

Exploded view of general assembly and parts list

Block No. M1MM





MODEL	MARK
HR-XVC27UA	A
HR-XVC27UM	B
HR-XVC29UJ	C

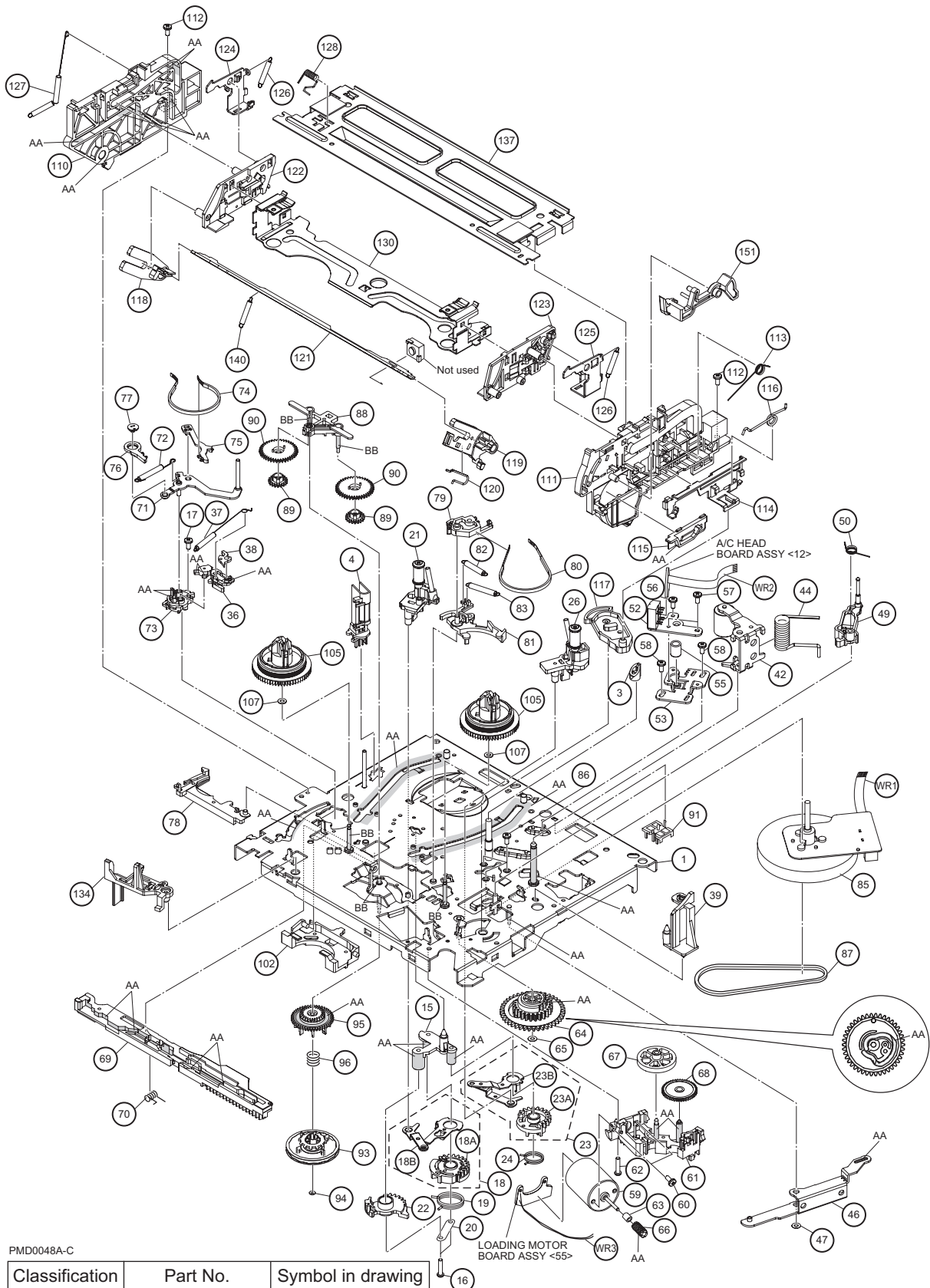
General assembly

Block No. [M][1][M][M]

△ Symbol No.	Part No.	Part Name	Description	Local
△ 501	LP10492-018A	FRONT PANEL ASSY		A
△ 501	LP10492-017A	FRONT PANEL ASSY		B
△ 501	LP10492-016A	FRONT PANEL ASSY		C
501A	LP21188-002A	CASSETTE DOOR		
501B	PQ46448	TORSION SPRING		
△ 502	LP10488-002C	TOP COVER		
503	QYSBSG3006NA	TAP SCREW	M3 x 6mm TOP SIDE(x2)	
504	QYSBSG3006NA	TAP SCREW	M3 x 6mm TOP REAR(x6)	
505	PDV2539B	DRUM FINAL ASSY		A
505	PDV2531D	DRUM FINAL ASSY		B,C
506	QYTDSF2608ZA	TAP SCREW	M2.6 x 8mm DISPLAY/OPERATION JACK(x9)	
507	LP31391-001A	SPECIAL SCREW	FRONT PANEL(x2)	
508	LP21190-002A	FITTING		
△ 509	LP41077-001A	LABEL(CAUTION)		
510	QYSPSPD3008ZA	SCREW	M3 x 8mm DRUM(x3)	
△ 511	LP10489-001B	BOTTOM CHASSIS		
△ 512	QMPR680-177-JC	POWER CORD	1.77m BLACK	A
△ 512	QMPR720-177-JD	POWER CORD	1.77m BLACK	B,C
△ 514	LP30002-0F1A	SPACER		
515	LP31391-002A	SPECIAL SCREW	MECHANISM(x3)	
516	LP31391-001A	SPECIAL SCREW	HOUSING	
517	LP31391-001A	SPECIAL SCREW	MAIN(x3)	
518	QYTDSF3008MA	TAP SCREW	M3 x 8mm JACK COVER(x4)	
△ 519	LP21178-019A	REAR COVER		
520	QYSBSG3006MA	TAP SCREW	M3 x 6mm REAR COVER	
521	LP31348-001A	FOOT	(x2)	
560	LP21177-001B	BRACKET(DVD)		
561	LP31391-001A	SPECIAL SCREW	BRACKET(DVD)(x3)	
562	LP30002-0E5A	SPACER	(x2)	
563	LP31392-001A	BRACKET		
564	QYSDSF2608ZA	TAP SCREW	M2.6 x 8mm DVD	
565	QYSBSG3010ZA	TAP SCREW	M3 x 10mm DVD(x3)	
WR1	QUQ112-2212CG	FFC WIRE	DISPLAY/OPERATION CN7003-MAIN CN3102	
WR2	QUQ112-1010CG	FFC WIRE	JACK CN7191-MAIN CN7103	
WR3	QUQ210-1916CC	FFC WIRE	DVD UNIT CN501-MAIN CN7301	
WR4	QUQ210-1716CC	FFC WIRE	DVD UNIT CN503-MAIN CN7302	
WR5	QUQ210-0510CC	FFC WIRE	DVD UNIT CN1-MAIN CN8301	

VHS mechanism assembly and parts list

Block No. M2MM



PMD0048A-C

Classification	Part No.	Symbol in drawing
Grease	KYODO-SH-JB	AA
Oil	COSMO-HV56	BB

NOTE: The section marked in **AA** and **BB** indicate lubrication and greasing areas.

MODEL	MARK
HR-XVC27UA	A
HR-XVC27UM	B
HR-XVC29UJ	C

VHS mechanism

Block No. [M][2][M][M]

Symbol No.	Part No.	Part Name	Description	Local
1	LP21039-003A	MAIN DECK ASSY		
3	LP40097-002E	GUIDE POLE CAP		
4	NAH0004-001	FE HEAD		
15	LP30958-001B	LOADING GEAR BASE		
16	QYTPST2620ZA	TAP SCREW		M2.6 x 20mm(x2)
17	QYTDST2606ZA	SCREW		M2.6 x 6mm
18	LP40798-002A	LOADING GEAR(SUPPLY) ASSY		
18A	LP21040-001A	LOADING GEAR(SUPPLY)		
18B	LP40799-002A	LOADING ARM(SUPPLY) ASSY		
19	LP40837-001A	TORSION SPRING(SUPPLY)		
20	LP40903-004A	FIXING PLATE		
21	LP40806-001D	POLE BASE ASSY(SUPPLY)		
22	LP30959-001B	LOADING GEAR		
23	LP40802-002A	LOADING GEAR(TAKE UP) ASSY		
23A	LP21041-001D	LOADING GEAR(TAKE UP)		
23B	LP40803-002A	LOADING ARM(TAKE UP) ASSY		
24	LP40838-001A	TORSION SPRING(TAKE UP)		
26	LP40808-001E	POLE BASE ASSY(TAKE UP)		
36	LP21055-001G	TAKE UP LEVER		
37	LP40943-001A	TENSION SPRING		
38	LP40859-001D	TAKE UP HEAD		
39	LP30961-001C	LID GUIDE		
42	LP40810-003A	PINCH ROLLER ARM ASSY		
44	LP40840-001E	TORSION SPRING		
46	LP30963-002A	PRESS LEVER		
47	PQM30017-24	SLIT WASHER		
49	LP40813-001D	GUIDE ARM ASSY		
50	LP40841-001A	TORSION SPRING		
52	NAH0005-001	AC HEAD		
53	LP30965-003A	HEAD BASE		
55	LP40842-001D	COMPRESSION SPRING		
56	QYTDST2006MA	TAP SCREW		M2 x 6mm
57	LP41036-002A	A/C ADJ.SCREW		(x2)
58	QYTDST2606ZA	TAP SCREW		M2.6 x 6mm(x2)
59	QAR0289-001	LOADING MOTOR		
60	QYTPSP3003ZA	SCREW		M3 x 3mm(x2)
61	LP21056-002J	MOTOR BRACKET		
62	QYTPST2620ZA	TAP SCREW		M2.6 x 20mm
63	LP40814-001B	WORM BEARING		
64	LP21044-001E	CONTROL CAM		
65	PQM30017-24	SLIT WASHER		
66	LP40815-001A	WORM GEAR		
67	LP40816-001B	HELICAL GEAR		
68	LP40817-001A	CONNECT GEAR		
69	LP10400-001N	CONTROL PLATE		
70	LP40843-001A	TORSION SPRING		
71	LP40818-002A	TENSION ARM ASSY		
72	LP40844-001F	TENSION SPRING		
73	LP21045-001E	TENSION ARM BASE		
74	LP40821-001A	TENSION BAND ASSY		
75	LP30967-001B	BAND HOLDER-1		
76	LP30968-001C	BAND HOLDER-2		
77	LP40822-002B	ADJUST PIN		
78	LP31000-005E	TENSION ARM LEVER		
79	LP21046-001C	MAIN BRAKE(TAKE UP)		
80	LP40824-001A	BAND BRAKE ASSY		
81	LP30969-002B	BRAKE LEVER		
82	LP30003-033C	TENSION SPRING		
83	LP30003-035C	TENSION SPRING		
△ 85	QAR0322-001	CAPSTAN MOTOR		
86	QYTPSG2606ZA	TAP SCREW		M2.6 x 6mm(x3)
87	LP30005-010A	BELT		CAPSTAN MOTOR
88	LP30970-001A	IDLER ARM		
89	LP40828-004A	IDLER GEAR 1		(x2)
90	LP40829-002A	IDLER GEAR 2		(x2)
91	LP31014-002A	WIRE HOLDER		
93	LP40934-001B	CLUTCH UNIT		
94	PQM30017-47	SLIT WASHER		
95	LP30973-001A	DIRECT GEAR		
96	LP40939-001A	COMPRESSION SPRING		
102	LP30974-001C	CHANGE LEVER		
105	LP21049-001A	REEL DISK		(x2)
107	LP30017-004A	SPACER		REEL DISK(x2)
110	LP10401-001L	SIDE FRAME(L)		
111	LP10402-001M	SIDE FRAME(R)		
112	QYTDST2606ZA	TAP SCREW		M2.6 x 6mm(x2)
113	LP40917-001D	TORSION SPRING		
114	LP30976-002B	SIDE PLATE		
115	LP30977-002E	LIMIT PLATE		

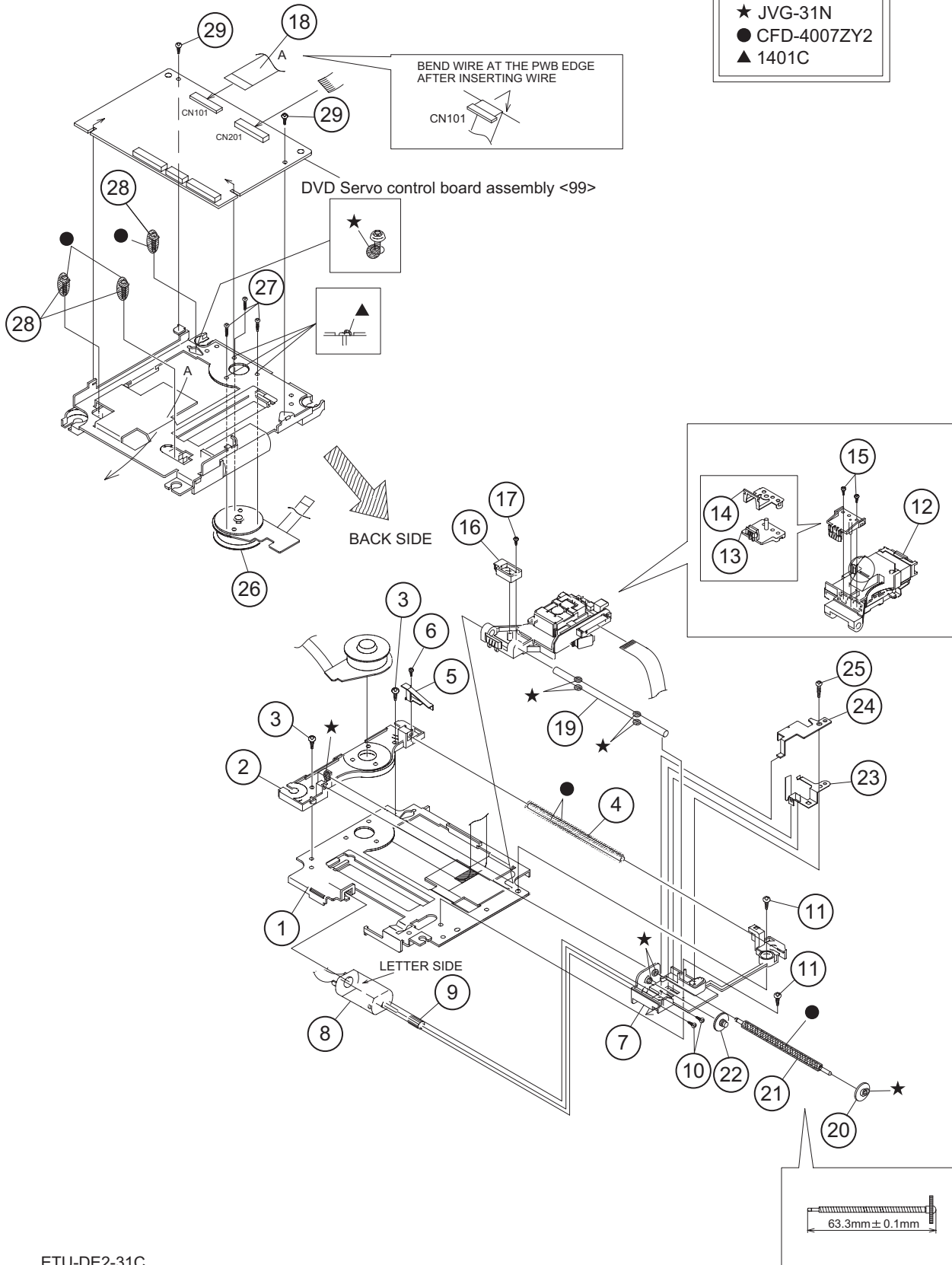
MODEL	MARK
HR-XVC27UA	A
HR-XVC27UM	B
HR-XVC29UJ	C

△ Symbol No.	Part No.	Part Name	Description	Local
116	LP40846-001C	LIMIT SPRING		
117	LP31100-002A	DRIVE LEVER		
118	LP30978-001B	DRIVE ARM(L)		
119	LP30979-001S	DRIVE ARM(R)		
120	LP40847-001B	TORSION SPRING		
121	LP30980-002A	CONNECT PLATE		
122	LP10403-001C	SIDE HOLDER(L)		
123	LP10404-001E	SIDE HOLDER(R)		
124	LP30983-002A	LOCK LEVER(L)		
125	LP30984-002A	LOCK LEVER(R)		
126	LP40924-001D	TENSION SPRING		(x2)
127	LP40972-001A	EARTH SPRING(1)		
128	LP40857-001B	EARTH SPRING(2)		
130	LP30981-003B	CASSETTE HOLDER ASSY		
134	LP21051-002C	REC SAFETY LEVER		
137	LP21052-002A	TOP FRAME		
140	LP41153-001A	EARTH SPRING(3)		
151	LP30985-002M	DOOR OPENER		
WR1	WJT0117-001A	E-CARD WIRE		DRUM
WR2	WJT0067-001B	E-CARD WIRE		A/C HEAD CN2001
WR3	WJS0022-001A	E-FL/RB WIRE		LOADING MOTOR

DVD Traverse mechanism assembly and parts list

Block No. M3MM

- | | |
|--------|-------------|
| GREASE | |
| ★ | JVG-31N |
| ● | CFD-4007ZY2 |
| ▲ | 1401C |



ETU-DE2-31C

MODEL	MARK
HR-XVC27UA	A
HR-XVC27UM	B
HR-XVC29UJ	C

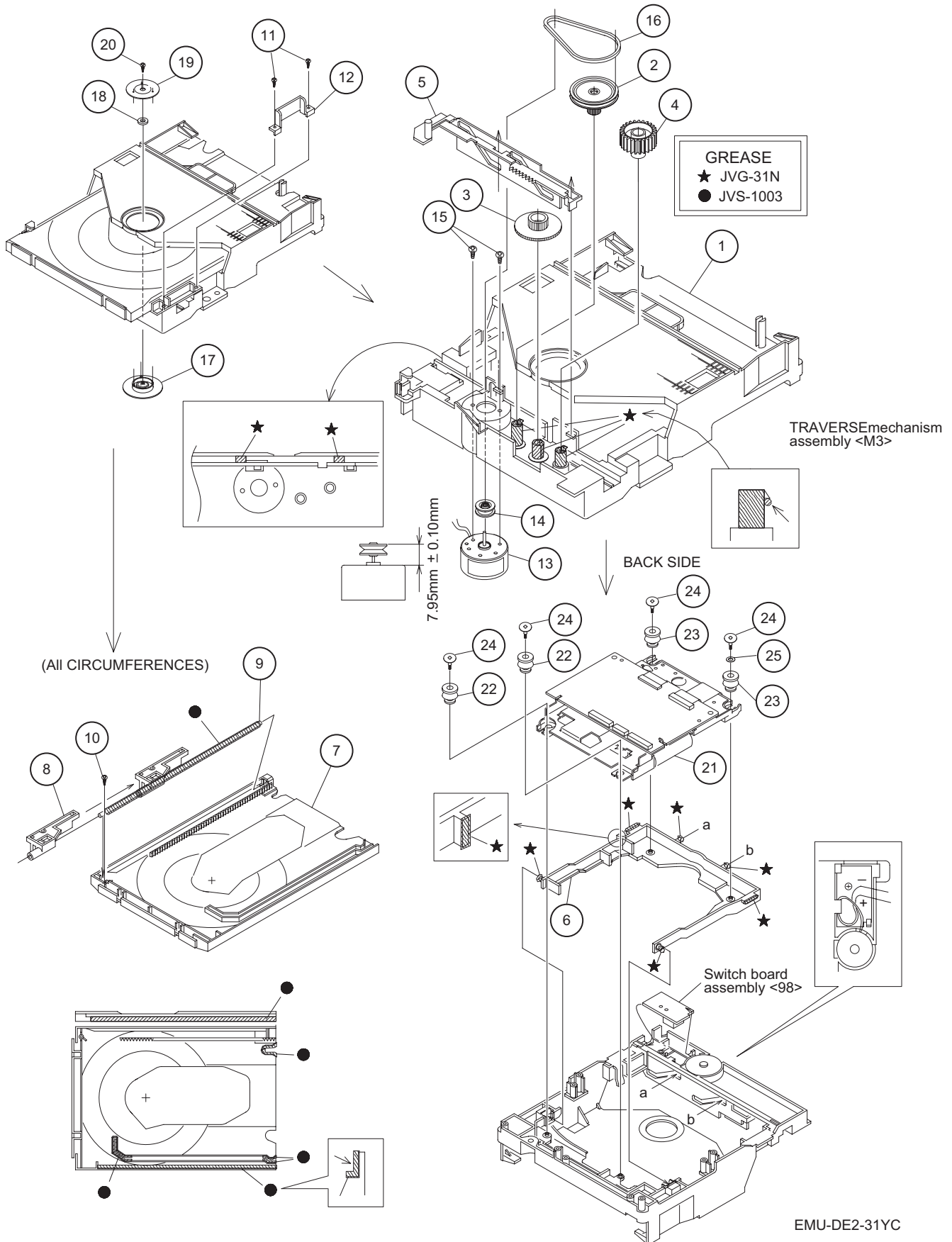
DVD Traverse mechanism

Block No. [M][3][M][M]

△ Symbol No.	Part No.	Part Name	Description	Local
1	LE20727-001A	MECHA BASE		
2	LE20699-002A	SPINDLE BASE		
3	QYSDST2605M	TAP SCREW		M2.6 x 5mm(x2)
4	LE40931-001A	SHAFT		
5	LV33991-001A	ADJUST SPRING		
6	QYSPSFU2040M	TAP SCREW		M2 x 4mm
7	LE20698-004A	FEED HOLDER		
8	QAR0215-001	FEED MOTOR		
9	LV41510-001A	FEED GEAR T		
10	QYSPSPU2040M	SCREW		M2 x 4mm(x2)
11	QYSDST2605M	TAP SCREW		M2.6 x 5mm(x2)
12	QAL0507-001	PICK UP		
13	LE20700-001A	SW ACTUATOR		
14	LE31067-002A	LEAD SPRING		
15	QYSPSFU1740Z	TAP SCREW		M1.7 x 4mm(x2)
16	LE40929-001A	SW.LEVER		
17	QYSPSFU1740Z	TAP SCREW		M1.7 x 4mm
18	QUQ105-2411AC	FFC		
19	LE40931-001A	SHAFT		
20	LE40855-002A	FEED GEAR E		
21	LE40918-001A	LEAD SCREW		
22	LE40930-001A	FEED GEAR M		
23	LE40928-002A	THURUST SPRING		
24	LE40927-002A	PLATE		
25	QYSDST2614Z	TAP SCREW		M2.6 x 14mm
26	QAR0316-001	SPINDLE MOTOR		
27	QYSPSPU1740Z	SCREW		M1.7 x 4mm(x3)
28	LE40858-002A	SPECIAL SCREW		(x3)
29	QYSDST2004Z	TAP SCREW		M2 x 4mm(x2)

DVD Loading mechanism assembly and parts list

Block No. M4MM



MODEL	MARK
HR-XVC27UA	A
HR-XVC27UM	B
HR-XVC29UJ	C

DVD Loading mechanism

Block No. [M][4][M][M]

△ Symbol No.	Part No.	Part Name	Description	Local
1	LE10275-006A	LOADING BASE		
2	LE31043-001A	PULLEY GEAR		
3	LE31042-001A	MIDDLE GEAR		
4	LE31044-001A	IDLE GEAR		
5	LE20665-005A	SLIDE CAM		
6	LE20666-003A	ELEVATOR		
7	LE10276-002A	TRAY		
8	LE31045-001A	BUSHING		
9	LE40898-001A	SHAFT		
10	QYSSSF2008Z	TAP SCREW		M2 x 8mm
11	QYSDSF2008Z	TAP SCREW		M2 x 8mm(x2)
12	LE40937-003A	LEAF SPRING		
13	QAR0197-001	MOTOR		
14	LV42087-002A	MOTOR PULLEY		
15	QYSPSPU1730Z	SCREW		M1.7 x 3mm(x2)
16	LE40897-001A	BELT		
17	LE31046-003A	CLAMPER		
18	LV42930-003A	P.C.MAGNET		
19	LE40899-001A	YOKE		
20	LE40906-001A	SPECIAL SCREW		
21	-----	DVD TRAMECHA		
22	LE40900-003A	INSULATOR		(x2)
23	LE40900-005A	INSULATOR		(x2)
24	LE40901-001A	SPECIAL SCREW		(x4)
25	QYWFM419025	WASHER		9mm/4.1mm x 0.25mm

MODEL	MARK
HR-XVC27UA	A
HR-XVC27UM	B
HR-XVC29UJ	C

Electrical parts list

Main board

Block No. [0][3]

△ Symbol No.	Part No.	Part Name	Description	Local
PW1	LPA10258-03B	MAIN BOARD ASSY		A
PW1	LPA10258-02B	MAIN BOARD ASSY		B
PW1	LPA10258-01B	MAIN BOARD ASSY		C
IC1	JCP8060-LSA	IC		A
IC1	JCP8060-NVA	IC		B,C
△ IC2201	AN3663FBP	IC		
IC3001	HD6432199RB13F	IC(MCU)	MASK	A
IC3001	HD6432199RB11F	IC(MCU)	MASK	B,C
IC3002	IC-PST3427U-X	IC		
IC3003	LPN0927-001B-01	IC(EEPROM)	*(REFER TO BELOW)	A
IC3003	LPN0918-003B-02	IC(EEPROM)	*(REFER TO BELOW)	B
IC3003	LPN0918-002B-01	IC(EEPROM)	*(REFER TO BELOW)	C
IC5201	UTC431-T	IC		
IC5201	or MM1431AT-T	IC		
IC5201	or L5431-T	IC		
IC5201	or TL431/A-T	IC		
IC5301	UTC431-T	IC		
IC5302	MM1565AF-X	IC		
IC7102	MM1507XN-X	IC		
IC7104	MM1623XF-X	IC		
IC7501	74VHCT08ASJ-X	IC		
IC8001	HA17558AF-X	IC		
IC8001	or RC4558D-X	IC		
IC8201	MN101C30AJF	IC(MCU)		
IC8201	or MN101CP30AJF	IC(MCU)		
IC8202	SN74HCT08APW-X	IC		
IC8301	LB1641	IC		
Q7	2SC2412K/QRS/-X	TRANSISTOR		A
Q7	or 2SC3928A/QRS/-X	TRANSISTOR		A
Q7	or 2SD601A/QRS/-X	TRANSISTOR		A
Q8	2SC2412K/QRS/-X	TRANSISTOR		A
Q8	or 2SC3928A/QRS/-X	TRANSISTOR		A
Q8	or 2SD601A/QRS/-X	TRANSISTOR		A
Q9	2SC2412K/QRS/-X	TRANSISTOR		A
Q9	or 2SC3928A/QRS/-X	TRANSISTOR		A
Q9	or 2SD601A/QRS/-X	TRANSISTOR		A
Q10	2SC2412K/QRS/-X	TRANSISTOR		A
Q10	or 2SC3928A/QRS/-X	TRANSISTOR		A
Q10	or 2SD601A/QRS/-X	TRANSISTOR		A
Q202	2SD601A/QRS/-X	TRANSISTOR		
Q202	or 2SC2412K/QRS/-X	TRANSISTOR		
Q202	or 2SC3928A/QRS/-X	TRANSISTOR		
Q2001	2SD601A/QRS/-X	TRANSISTOR		
Q2001	or 2SC2412K/QRS/-X	TRANSISTOR		
Q2001	or 2SC3928A/QRS/-X	TRANSISTOR		
Q2002	2SD601A/QRS/-X	TRANSISTOR		
Q2002	or 2SC2412K/QRS/-X	TRANSISTOR		
Q2002	or 2SC3928A/QRS/-X	TRANSISTOR		
Q2003	UN211E-X	DIGI TRANSISTOR		
Q2003	or DTA144WKA-X	TRANSISTOR		
Q2003	or RT1P44HC-X	DIGI TRANSISTOR		
Q2051	2SD601A/QRS/-X	TRANSISTOR		
Q2051	or 2SC2412K/QRS/-X	TRANSISTOR		
Q2051	or 2SC3928A/QRS/-X	TRANSISTOR		
Q2052	2SB709A/QR/-X	TRANSISTOR		
Q2052	or 2SA1037AK/QR/-X	TRANSISTOR		
Q2052	or 2SA1530A/QR/-X	SI TRANSISTOR		
Q2053	UN221E-X	TRANSISTOR		
Q2053	or DTC144WKA-X	DIGI TRANSISTOR		
Q2053	or RT1N44HC-X	DIGI TRANSISTOR		
Q2054	2SB709A/QR/-X	TRANSISTOR		
Q2054	or 2SA1037AK/QR/-X	TRANSISTOR		
Q2054	or 2SA1530A/QR/-X	SI TRANSISTOR		
Q2055	UN221E-X	TRANSISTOR		
Q2055	or DTC144WKA-X	DIGI TRANSISTOR		
Q2055	or RT1N44HC-X	DIGI TRANSISTOR		
Q2201	UN211E-X	DIGI TRANSISTOR		
Q2201	or DTA144WKA-X	TRANSISTOR		
Q2201	or RT1P44HC-X	DIGI TRANSISTOR		
Q2202	UN221E-X	TRANSISTOR		

△ Symbol No.	Part No.	Part Name	Description	Local
Q2202	or DTC144WKA-X	DIGI TRANSISTOR		
Q2202	or RT1N44HC-X	DIGI TRANSISTOR		
Q2203	2SD601A/QRS/-X	TRANSISTOR		
Q2203	or 2SC2412K/QRS/-X	TRANSISTOR		
Q2203	or 2SC3928A/QRS/-X	TRANSISTOR		
Q2204	2SD601A/QRS/-X	TRANSISTOR		
Q2204	or 2SC2412K/QRS/-X	TRANSISTOR		
Q2204	or 2SC3928A/QRS/-X	TRANSISTOR		
Q3002	PTZ-NV16A	IC(PHOTO SENSOR)		
Q3004	2SD601A/QRS/-X	TRANSISTOR		
Q3004	or 2SC2412K/QRS/-X	TRANSISTOR		
Q3004	or 2SC3928A/QRS/-X	TRANSISTOR		
Q3005	2SD601A/QRS/-X	TRANSISTOR		
Q3005	or 2SC2412K/QRS/-X	TRANSISTOR		
Q3005	or 2SC3928A/QRS/-X	TRANSISTOR		
Q3007	UN221E-X	TRANSISTOR		
Q3007	or DTC144WKA-X	DIGI TRANSISTOR		
Q3007	or RT1N44HC-X	DIGI TRANSISTOR		
Q3901	UN221E-X	TRANSISTOR		
Q3901	or DTC144WKA-X	DIGI TRANSISTOR		
Q3901	or RT1N44HC-X	DIGI TRANSISTOR		
Q3902	UN221E-X	TRANSISTOR		
Q3902	or DTC144WKA-X	DIGI TRANSISTOR		
Q3902	or RT1N44HC-X	DIGI TRANSISTOR		
Q4001	UN2211-X	TRANSISTOR		
Q4001	or DTC114EKA-X	TRANSISTOR		
Q4001	or RT1N141C-X	DIGI TRANSISTOR		
Q5101	2SK2632-CB14	POWER MOS FET		
Q5102	2SD2144S/UV/-T	TRANSISTOR		
Q5103	2SB709A/QR/-X	TRANSISTOR		
Q5103	or 2SA1037AK/QR/-X	TRANSISTOR		
Q5103	or 2SA1530A/QR/-X	SI TRANSISTOR		
Q5306	2SD2144S/UV/-T	TRANSISTOR		
Q5307	UN211E-X	DIGI TRANSISTOR		
Q5307	or DTA144WKA-X	TRANSISTOR		
Q5307	or RT1P44HC-X	DIGI TRANSISTOR		
Q5309	UN2211-X	TRANSISTOR		
Q5309	or DTC114EKA-X	TRANSISTOR		
Q5309	or RT1N141C-X	DIGI TRANSISTOR		
Q5310	2SD1858/QR/-T	TRANSISTOR		
Q5311	2SC5739/QP/	TRANSISTOR		
Q5315	2SD1858/QR/-T	TRANSISTOR		
Q6030	2SB709A/QR/-X	TRANSISTOR		
Q6030	or 2SA1037AK/QR/-X	TRANSISTOR		
Q6030	or 2SA1530A/QR/-X	SI TRANSISTOR		
Q7113	2SA1037AK/QR/-X	TRANSISTOR		
Q7113	or 2SB709A/QR/-X	TRANSISTOR		
Q7113	or 2SA1530A/QR/-X	SI TRANSISTOR		
Q8001	2SD601A/QRS/-X	TRANSISTOR		
Q8001	or 2SC2412K/QRS/-X	TRANSISTOR		
Q8001	or 2SC3928A/QRS/-X	TRANSISTOR		
Q8002	2SD601A/QRS/-X	TRANSISTOR		
Q8002	or 2SC2412K/QRS/-X	TRANSISTOR		
Q8002	or 2SC3928A/QRS/-X	TRANSISTOR		
Q8052	2SD601A/QRS/-X	TRANSISTOR		
Q8052	or 2SC2412K/QRS/-X	TRANSISTOR		
Q8052	or 2SC3928A/QRS/-X	TRANSISTOR		
Q8053	UN2111-X	TRANSISTOR		
Q8053	or DTA114EKA-X	DIGI TRANSISTOR		
Q8053	or RT1P141C-X	DIGI TRANSISTOR		
D201	1SS133-T2	DIODE		
D2001	1SS133-T2	DIODE		
D2001	or 1SS270A-T2	SI DIODE		
D2251	1SS133-T2	DIODE		
D2251	or 1SS270A-T2	SI DIODE		
D3001	LNB2301L01VI	LED		
D3002	1SS133-T2	DIODE		
D3002	or 1SS270A-T2	SI DIODE		
D3003	RD33ES/B3/-T2	Z DIODE		
D3003	or MTZJ33C-T2	Z DIODE		
D3004	10EDB20-T2	SI DIODE		
D3004	or 1A3G-T2	SI DIODE		
D3005	10EDB20-T2	SI DIODE		
D3005	or 1A3G-T2	SI DIODE		
D3008	1SS133-T2	DIODE		

*The VCR goes to jig RCU mode after replacing the EEPROM and the VCR does not accept some RCU command.
Therefore please set the VCR to the user RCU mode after replacing the EEPROM.
The method of setting the VCR to the user RCU mode is written on the service manual.

MODEL	MARK
HR-XVC27UA	A
HR-XVC27UM	B
HR-XVC29UJ	C

△ Symbol No.	Part No.	Part Name	Description	Local	△ Symbol No.	Part No.	Part Name	Description	Local
D3008	or 1SS270A-T2	SI DIODE			C36	QEKJ1HM-105Z	E CAPACITOR	1uF 50V M	
D4002	1SS133-T2	DIODE			C37	NDC31HJ-4R0X	C CAPACITOR	4pF 50V J	
D5001	S1WB/A/60-4102	BRIDGE DIODE			C40	NCF31EZ-104X	C CAPACITOR	0.1uF 25V Z	
D5001	or S1WB/A/60-X	BRIDGE DIODE			C41	NCB31CK-104X	C CAPACITOR	0.1uF 16V K	
D5101	10ERB40-T2	FR DIODE			C43	QEKJ1HM-335Z	E CAPACITOR	3.3uF 50V M	
D5101	or AU01-T2	SI DIODE			C44	QEKJ1HM-225Z	E CAPACITOR	2.2uF 50V M	
D5102	10ERB40-T2	FR DIODE			C45	NCB31CK-333X	C CAPACITOR	0.033uF 16V K	A
D5102	or AU01-T2	SI DIODE			C45	NCB31EK-472X	C CAPACITOR	4700pF 25V K	B,C
D5103	1SS133-T2	DIODE			C46	NCB31CK-333X	C CAPACITOR	0.033uF 16V K	
D5103	or 1SS270A-T2	SI DIODE			C47	QEKJ1HM-474Z	E CAPACITOR	0.47uF 50V M	
D5105	1SS133-T2	DIODE			C48	NCB31EK-223X	C CAPACITOR	0.022uF 25V K	
D5105	or 1SS270A-T2	SI DIODE			C49	QEKJ1HM-475Z	E CAPACITOR	4.7uF 50V M	
D5106	MTZJ33D-T2	Z DIODE			C56	NCB31CK-104X	C CAPACITOR	0.1uF 16V K	
D5106	or RD33ES/B4-T2	Z DIODE			C57	NCB31EK-103X	C CAPACITOR	0.01uF 25V K	A
D5201	PG104RS-T2	FR DIODE			C57	NCF31EZ-104X	C CAPACITOR	0.1uF 25V Z	B,C
D5201	or 10ERB20-T2	FR DIODE			C58	NCB31EK-103X	C CAPACITOR	0.01uF 25V K	A
D5201	or 1F4G-T2	FR DIODE			C58	NCF31EZ-104X	C CAPACITOR	0.1uF 25V Z	B,C
D5201	or AU01Z-T2	FR DIODE			C59	NCB31EK-103X	C CAPACITOR	0.01uF 25V K	A
D5201	or 1SR153-400-T2	FR DIODE			C59	NCF31EZ-104X	C CAPACITOR	0.1uF 25V Z	B,C
D5208	1S4-T2	SB DIODE			C60	NCB31EK-103X	C CAPACITOR	0.01uF 25V K	A
D5208	or AW04-T2	SB DIODE			C60	NCF31EZ-104X	C CAPACITOR	0.1uF 25V Z	B,C
D5208	or SBO40-T2	SB DIODE			C63	NCB31EK-103X	C CAPACITOR	0.01uF 25V K	A
D5209	PG104RS-T2	FR DIODE			C64	NCB31EK-103X	C CAPACITOR	0.01uF 25V K	A
D5209	or 10ERB20-T2	FR DIODE			C77	NCF31EZ-104X	C CAPACITOR	0.1uF 25V Z	
D5209	or 1F4G-T2	FR DIODE			C78	NCF31EZ-104X	C CAPACITOR	0.1uF 25V Z	
D5209	or AU01Z-T2	FR DIODE			C201	NDC31HJ-220X	C CAPACITOR	22pF 50V J	
D5209	or 1SR153-400-T2	FR DIODE			C202	QEKJ1HM-475Z	E CAPACITOR	4.7uF 50V M	
D5212	SB240-F26	SB DIODE			C203	NCB31HK-102X	C CAPACITOR	1000pF 50V K	
D5212	or RK14LF-B2	SBD			C204	NCB31HK-681X	C CAPACITOR	680pF 50V K	
D5212	or 21DQ04-F	SBD			C205	QEKJ1HM-475Z	E CAPACITOR	4.7uF 50V M	
D5213	1F4G-T2	FR DIODE			C206	NCB31HK-681X	C CAPACITOR	680pF 50V K	
D5213	or 10ERB20-T2	FR DIODE			C207	QEKJ1HM-475Z	E CAPACITOR	4.7uF 50V M	
D5301	MTZJ15C-T2	Z DIODE			C209	QEKJ0JM-476Z	E CAPACITOR	47uF 6.3V M	
D5301	or RD15ES/B3-T2	Z DIODE			C210	NCB31EK-103X	C CAPACITOR	0.01uF 25V K	
D5305	MTZJ11C-T2	Z DIODE			C212	NCF31EZ-104X	C CAPACITOR	0.1uF 25V Z	
D5305	or RD11ES/B3-T2	Z DIODE			C213	NCF31EZ-104X	C CAPACITOR	0.1uF 25V Z	
D5306	MTZJ5.6C-T2	Z DIODE			C2001	QEKJ1HM-475Z	E CAPACITOR	4.7uF 50V M	
D5306	or RD5.6ES/B3-T2	Z DIODE			C2002	QEKJ1HM-105Z	E CAPACITOR	1uF 50V M	
D5310	MTZJ10B-T2	Z DIODE			C2005	QEKJ1HM-475Z	E CAPACITOR	4.7uF 50V M	
D5310	or RD10ES/B2-T2	Z DIODE			C2006	NCB31EK-682X	C CAPACITOR	6800pF 25V K	
D6002	HZ30-2L-T2	Z DIODE			C2007	QEKJ1CM-226Z	E CAPACITOR	22uF 16V M	
D6002	or HZ30-2LTD	Z DIODE			C2008	QEKJ1HM-475Z	E CAPACITOR	4.7uF 50V M	
D8001	1SS133-T2	DIODE			C2009	NCB31HK-102X	C CAPACITOR	1000pF 50V K	
D8001	or 1SS270A-T2	SI DIODE			C2010	NCB31HK-681X	C CAPACITOR	680pF 50V K	
D8301	RD5.1ES/B2-T2	Z DIODE			C2011	QEKJ1HM-475Z	E CAPACITOR	4.7uF 50V M	
D8301	or MTZJ5.1B-T2	Z DIODE			C2012	QEKJ1HM-475Z	E CAPACITOR	4.7uF 50V M	
PC3001	RPI-304J	IC(PHOTO SENSOR)			C2051	NCB31HK-331X	C CAPACITOR	330pF 50V K	
PC3002	RPI-304J	IC(PHOTO SENSOR)			C2052	QFV61HJ-823Z	MF CAPACITOR	0.082uF 50V J	
△ PC5101	PC123Y22FZ	PHOTO COUPLER			C2053	NCB31HK-472X	C CAPACITOR	4700pF 50V K	
C1	NDC31HJ-151X	C CAPACITOR	150pF 50V J		C2054	NCB31EK-223X	C CAPACITOR	0.022uF 25V K	
C2	NDC31HJ-470X	C CAPACITOR	47pF 50V J	A	C2055	QEKJ1EM-106Z	E CAPACITOR	10uF 25V M	
C2	NDC31HJ-330X	C CAPACITOR	33pF 50V J	B,C	C2201	QEKJ1EM-106Z	E CAPACITOR	10uF 25V M	
C4	QEKJ1EM-106Z	E CAPACITOR	10uF 25V M		C2202	QEKJ1HM-475Z	E CAPACITOR	4.7uF 50V M	
C5	NCB31CK-104X	C CAPACITOR	0.1uF 16V K		C2203	QEKJ1HM-475Z	E CAPACITOR	4.7uF 50V M	
C6	NCB31CK-104X	C CAPACITOR	0.1uF 16V K		C2204	QEKJ0JM-336Z	E CAPACITOR	33uF 6.3V M	
C7	NCB31CK-104X	C CAPACITOR	0.1uF 16V K		C2205	QEKJ1EM-106Z	E CAPACITOR	10uF 25V M	
C8	NCF31AZ-105X	C CAPACITOR	1uF 10V Z		C2206	QEKJ1EM-106Z	E CAPACITOR	10uF 25V M	
C9	QEKJ1HM-225Z	E CAPACITOR	2.2uF 50V M		C2207	NCB31EK-153X	C CAPACITOR	0.015uF 25V K	
C11	NCF31AZ-105X	C CAPACITOR	1uF 10V Z		C2208	NCB31EK-153X	C CAPACITOR	0.015uF 25V K	
C12	NCF31AZ-105X	C CAPACITOR	1uF 10V Z		C2209	QEKJ1EM-106Z	E CAPACITOR	10uF 25V M	
C14	NCF31AZ-105X	C CAPACITOR	1uF 10V Z		C2210	QEKJ1EM-106Z	E CAPACITOR	10uF 25V M	
C15	NCB31CK-104X	C CAPACITOR	0.1uF 16V K		C2211	QEKJ0JM-336Z	E CAPACITOR	33uF 6.3V M	
C17	NCF31EZ-104X	C CAPACITOR	0.1uF 25V Z		C2212	QEKJ0JM-476Z	E CAPACITOR	47uF 6.3V M	
C19	NCB31CK-104X	C CAPACITOR	0.1uF 16V K		C2214	QEKJ1EM-106Z	E CAPACITOR	10uF 25V M	
C20	NCB31CK-104X	C CAPACITOR	0.1uF 16V K		C2215	QEKJ1EM-106Z	E CAPACITOR	10uF 25V M	
C22	NCF31EZ-104X	C CAPACITOR	0.1uF 25V Z		C2218	QEKJ1EM-106Z	E CAPACITOR	10uF 25V M	
C24	NCF31EZ-104X	C CAPACITOR	0.1uF 25V Z		C2219	QEKJ1CM-226Z	E CAPACITOR	22uF 16V M	
C25	QEKJ1HM-335Z	E CAPACITOR	3.3uF 50V M		C2220	QEKJ1EM-106Z	E CAPACITOR	10uF 25V M	
C26	QEKJ1EM-106Z	E CAPACITOR	10uF 25V M		C2221	NCB31EK-223X	C CAPACITOR	0.022uF 25V K	
C27	NCB31EK-103X	C CAPACITOR	0.01uF 25V K		C2222	NCF31EZ-104X	C CAPACITOR	0.1uF 25V Z	
C30	NCB31HK-581X	C CAPACITOR	580pF 50V K	A	C2223	NCB30JK-105X	C CAPACITOR	1uF 6.3V K	
C30	NCB31HK-331X	C CAPACITOR	330pF 50V K	B,C	C2235	NCB30JK-105X	C CAPACITOR	1uF 6.3V K	
C31	QEKJ0JM-476Z	E CAPACITOR	47uF 6.3V M		C2251	NCB31EK-103X	C CAPACITOR	0.01uF 25V K	
C33	QEKJ1EM-106Z	E CAPACITOR	10uF 25V M		C2252	NCB31EK-103X	C CAPACITOR	0.01uF 25V K	
C34	NCB31EK-103X	C CAPACITOR	0.01uF 25V K		C2253	NCB31EK-103X	C CAPACITOR	0.01uF 25V K	
C35	NCB31EK-103X	C CAPACITOR	0.01uF 25V K		C2254	QEKJ0JM-476Z	E CAPACITOR	47uF 6.3V M	
					C2255	NCF31EZ-104X	C CAPACITOR	0.1uF 25V Z	
					C2256	NCB31EK-103X	C CAPACITOR	0.01uF 25V K	

MODEL	MARK
HR-XVC27UA	A
HR-XVC27UM	B
HR-XVC29UJ	C

△ Symbol No.	Part No.	Part Name	Description	Local	△ Symbol No.	Part No.	Part Name	Description	Local
C2257	NCB31EK-103X	C CAPACITOR	0.01uF 25V K		C6516	QEKJ1EM-475Z	E CAPACITOR	4.7uF 25V M	
C2259	QEKJ1HM-334Z	E CAPACITOR	0.33uF 50V M		C6517	NCB31AK-224X	C CAPACITOR	0.22uF 10V K	
C2261	NDC31HJ-470X	C CAPACITOR	47pF 50V J	A	C6532	NCF31EZ-104X	C CAPACITOR	0.1uF 25V Z	
C2262	NDC31HJ-470X	C CAPACITOR	47pF 50V J	A	C7114	QETJ0JM-477Z	E CAPACITOR	470uF 6.3V M	
C3011	QETN0JM-108Z	E CAPACITOR	1000uF 6.3V M	A,B	C7117	QEKJ1EM-106Z	E CAPACITOR	10uF 25V M	
C3011	QETN1AM-477Z	E CAPACITOR	470uF 10V M	C	C7118	QEKJ1EM-106Z	E CAPACITOR	10uF 25V M	
C3012	QEKJ0JM-476Z	E CAPACITOR	47uF 6.3V M		C7119	NCF31EZ-104X	C CAPACITOR	0.1uF 25V Z	
C3014	QEKJ0JM-476Z	E CAPACITOR	47uF 6.3V M		C7120	QETJ0JM-477Z	E CAPACITOR	470uF 6.3V M	
C3016	NCF31EZ-104X	C CAPACITOR	0.1uF 25V Z		C7121	NCB31EK-103X	C CAPACITOR	0.01uF 25V K	
C3022	NCF31EZ-104X	C CAPACITOR	0.1uF 25V Z		C7123	QETJ0JM-477Z	E CAPACITOR	470uF 6.3V M	
C3024	NDC31HJ-120X	C CAPACITOR	12pF 50V J		C7124	QETJ0JM-477Z	E CAPACITOR	470uF 6.3V M	
C3025	QAT3725-300Z	TRIM CAPACITOR	30pF TIMER CLOCK	A,B	C7125	QETJ0JM-477Z	E CAPACITOR	470uF 6.3V M	
C3030	QEKJ0JM-476Z	E CAPACITOR	47uF 6.3V M		C7129	NCF31EZ-104X	C CAPACITOR	0.1uF 25V Z	
C3031	NCF31EZ-104X	C CAPACITOR	0.1uF 25V Z		C7131	NCB31EK-103X	C CAPACITOR	0.01uF 25V K	
C3033	NCF31EZ-104X	C CAPACITOR	0.1uF 25V Z		C7132	NCF31EZ-104X	C CAPACITOR	0.1uF 25V Z	
C3036	NDC31HJ-180X	C CAPACITOR	18pF 50V J		C7133	QEKJ1CM-226Z	E CAPACITOR	22uF 16V M	
C3037	NDC31HJ-120X	C CAPACITOR	12pF 50V J		C7134	NCF31EZ-104X	C CAPACITOR	0.1uF 25V Z	
C3041	NDC31HJ-180X	C CAPACITOR	18pF 50V J	C	C7135	NCF31AZ-105X	C CAPACITOR	1uF 10V Z	
C3045	NCB31EK-103X	C CAPACITOR	0.01uF 25V K		C7136	NCF31AZ-105X	C CAPACITOR	1uF 10V Z	
C3050	NCF31EZ-104X	C CAPACITOR	0.1uF 25V Z		C7502	NCF31EZ-104X	C CAPACITOR	0.1uF 25V Z	
C3052	QEKJ1EM-106Z	E CAPACITOR	10uF 25V M		C7503	QEKJ1HM-475Z	E CAPACITOR	4.7uF 50V M	
C3054	NCB31HK-222X	C CAPACITOR	2200pF 50V K		C7504	NDC31HJ-151X	C CAPACITOR	150pF 50V J	
C3071	QETJ1HM-336Z	E CAPACITOR	33uF 50V M		C8001	QEKJ1CM-226Z	E CAPACITOR	22uF 16V M	
C4002	NCF31EZ-104X	C CAPACITOR	0.1uF 25V Z		C8002	QEKJ1CM-226Z	E CAPACITOR	22uF 16V M	
C4004	QEKJ1CM-226Z	E CAPACITOR	22uF 16V M		C8003	NCB31HK-821X	C CAPACITOR	820pF 50V K	
C4005	NDC31HJ-181X	C CAPACITOR	180pF 50V J		C8004	NCB31HK-821X	C CAPACITOR	820pF 50V K	
C4006	QEKJ0JM-476Z	E CAPACITOR	47uF 6.3V M		C8005	NCB31HK-821X	C CAPACITOR	820pF 50V K	
C4008	QEQF1HM-105Z	E CAPACITOR	1uF 50V M		C8006	NCB31HK-821X	C CAPACITOR	820pF 50V K	
C4009	NRSA63J-0R0X	MG RESISTOR	0Ω 1/16W J		C8007	QEKJ1CM-226Z	E CAPACITOR	22uF 16V M	
C4010	NCB31EK-223X	C CAPACITOR	0.022uF 25V K		C8008	QEKJ1CM-226Z	E CAPACITOR	22uF 16V M	
C4011	NCB31CK-104X	C CAPACITOR	0.1uF 16V K		C8052	QEKJ0JM-107Z	E CAPACITOR	100uF 6.3V M	
C4012	QEKJ1HM-224Z	E CAPACITOR	0.22uF 50V M		C8201	QEKJ0JM-476Z	E CAPACITOR	47uF 6.3V M	
C4014	NDC31HJ-101X	C CAPACITOR	100pF 50V J		C8202	NCF31EZ-104X	C CAPACITOR	0.1uF 25V Z	
C4015	NCB31HK-221X	C CAPACITOR	220pF 50V K		C8203	NCF31EZ-104X	C CAPACITOR	0.1uF 25V Z	
△ C5001	QFZ9077-683	MPP CAPACITOR	0.068uF 275V M		C8301	QETN1CM-107Z	E CAPACITOR	100uF 16V M	
△ C5002	QFZ9073-223	MM CAPACITOR	0.022uF AC250V M		C8302	NCB31EK-103X	C CAPACITOR	0.01uF 25V K	
△ C5003	QCZ9079-101	C CAPACITOR	100pF AC250V K		C8303	NCF31EZ-104X	C CAPACITOR	0.1uF 25V Z	
△ C5004	QCZ9079-222	C CAPACITOR	2200pF AC250V M						
C5006	QEZ0374-826	E CAPACITOR	82uF 400V M		R1	NRSA63J-622X	MG RESISTOR	6.2kΩ 1/16W J	
C5101	QCZ0136-101Z	C CAPACITOR	100pF 1kV K		R2	NRSA63J-152X	MG RESISTOR	1.5kΩ 1/16W J	
C5102	QCZ0333-472	C CAPACITOR	4700pF 1kV K		R3	NRSA63J-822X	MG RESISTOR	8.2kΩ 1/16W J	
C5104	QETN1HM-105Z	E CAPACITOR	1uF 50V M		R11	NRSA63J-472X	MG RESISTOR	4.7kΩ 1/16W J	
C5106	NCB31HK-271X	C CAPACITOR	270pF 50V K		R12	NRSA63J-681X	MG RESISTOR	680Ω 1/16W J	A
C5108	NCB31HK-104X	C CAPACITOR	0.1uF 50V K		R12	NRSA63J-102X	MG RESISTOR	1kΩ 1/16W J	B,C
C5109	NCB31HK-183X	C CAPACITOR	0.018uF 50V K		R21	NRSA63J-222X	MG RESISTOR	2.2kΩ 1/16W J	A
C5202	QEMT1AM-128	E CAPACITOR	1200uF 10V M		R22	NRSA63J-222X	MG RESISTOR	2.2kΩ 1/16W J	A
C5203	QETN1AM-107Z	E CAPACITOR	100uF 10V M		R36	NRSA63J-472X	MG RESISTOR	4.7kΩ 1/16W J	
C5204	QEMT1AM-128	E CAPACITOR	1200uF 10V M		R37	NRSA63J-103X	MG RESISTOR	10kΩ 1/16W J	
C5205	QEMU1CM-397Z	E CAPACITOR	390uF 16V M		R38	NRSA63J-685X	MG RESISTOR	6.8MΩ 1/16W J	A
C5207	QETN2AM-475Z	E CAPACITOR	4.7uF 100V M		R201	NRSA63J-471X	MG RESISTOR	470Ω 1/16W J	
C5209	QETN1AM-107Z	E CAPACITOR	100uF 10V M		R202	NRSA63J-103X	MG RESISTOR	10kΩ 1/16W J	
C5210	QETN1CM-107Z	E CAPACITOR	100uF 16V M		R203	NRSA63J-103X	MG RESISTOR	10kΩ 1/16W J	
C5211	QETN1AM-107Z	E CAPACITOR	100uF 10V M		R204	NRSA63J-474X	MG RESISTOR	470kΩ 1/16W J	
C5214	NCB31AK-154X	C CAPACITOR	0.15uF 10V K		R205	NRSA63J-301X	MG RESISTOR	300Ω 1/16W J	
C5303	QETN1HM-225Z	E CAPACITOR	2.2uF 50V M		R206	NRSA63J-474X	MG RESISTOR	470kΩ 1/16W J	
C5304	QETN1CM-107Z	E CAPACITOR	100uF 16V M		R210	NRSA63J-0R0X	MG RESISTOR	0Ω 1/16W J	
C5305	QETN1AM-107Z	E CAPACITOR	100uF 10V M		R212	NRSA63J-471X	MG RESISTOR	470Ω 1/16W J	
C5306	NCF31AZ-105X	C CAPACITOR	1uF 10V Z		R2007	NRSA63J-123X	MG RESISTOR	12kΩ 1/16W J	
C5307	NCB31HK-471X	C CAPACITOR	470pF 50V K		R2010	NRSA63J-123X	MG RESISTOR	12kΩ 1/16W J	
C5309	QETN1AM-107Z	E CAPACITOR	100uF 10V M		R2013	NRSA63J-123X	MG RESISTOR	12kΩ 1/16W J	
C5310	QETN1AM-107Z	E CAPACITOR	100uF 10V M		R2014	NRSA63J-394X	MG RESISTOR	390kΩ 1/16W J	
C5314	QETN1CM-107Z	E CAPACITOR	100uF 16V M		R2015	NRSA63J-271X	MG RESISTOR	270Ω 1/16W J	
C6013	NCB31HK-102X	C CAPACITOR	1000pF 50V K		R2016	NRSA63J-333X	MG RESISTOR	33kΩ 1/16W J	
C6021	NCB31HK-331X	C CAPACITOR	330pF 50V K		R2017	NRSA63J-223X	MG RESISTOR	22kΩ 1/16W J	
C6053	NDC31HJ-120X	C CAPACITOR	12pF 50V J		R2018	NRSA63J-472X	MG RESISTOR	4.7kΩ 1/16W J	
C6054	NDC31HJ-100X	C CAPACITOR	10pF 50V J		R2019	NRSA63J-472X	MG RESISTOR	4.7kΩ 1/16W J	
C6501	NCB31CK-104X	C CAPACITOR	0.1uF 16V K		R2021	NRSA63J-333X	MG RESISTOR	33kΩ 1/16W J	
C6502	QEKJ1EM-106Z	E CAPACITOR	10uF 25V M		R2022	NRSA63J-103X	MG RESISTOR	10kΩ 1/16W J	
C6503	QEKJ1HM-105Z	E CAPACITOR	1uF 50V M		R2023	QRE141J-103Y	C RESISTOR	10kΩ 1/4W J	
C6504	NCF31EZ-104X	C CAPACITOR	0.1uF 25V Z		R2024	NRSA63J-103X	MG RESISTOR	10kΩ 1/16W J	
C6505	QEKJ1HM-335Z	E CAPACITOR	3.3uF 50V M		R2053	NRSA63J-103X	MG RESISTOR	10kΩ 1/16W J	
C6508	NCB31EK-223X	C CAPACITOR	0.022uF 25V K		R2054	NRSA63J-123X	MG RESISTOR	12kΩ 1/16W J	
C6509	NCB31CK-104X	C CAPACITOR	0.1uF 16V K		R2055	NRSA63J-3R3X	MG RESISTOR	3.3Ω 1/16W J	
C6511	NCF31EZ-104X	C CAPACITOR	0.1uF 25V Z		R2056	QRE141J-820Y	C RESISTOR	82Ω 1/4W J	
C6512	NCB31EK-223X	C CAPACITOR	0.022uF 25V K		R2057	NRSA63J-473X	MG RESISTOR	47kΩ 1/16W J	
C6513	QEKJ1HM-225Z	E CAPACITOR	2.2uF 50V M		R2058	NRSA63J-183X	MG RESISTOR	18kΩ 1/16W J	
C6514	NCB31EK-223X	C CAPACITOR	0.022uF 25V K		R2059	NRSA63J-473X	MG RESISTOR	47kΩ 1/16W J	
C6515	QEKJ1HM-335Z	E CAPACITOR	3.3uF 50V M		R2060	NRSA63J-183X	MG RESISTOR	18kΩ 1/16W J	

MODEL	MARK
HR-XVC27UA	A
HR-XVC27UM	B
HR-XVC29UJ	C

△ Symbol No.	Part No.	Part Name	Description	Local	△ Symbol No.	Part No.	Part Name	Description	Local
R2201	NRSA63J-473X	MG RESISTOR	47kΩ 1/16W J		R3243	QRE141J-332Y	C RESISTOR	3.3kΩ 1/4W J	
R2202	NRSA63J-682X	MG RESISTOR	6.8kΩ 1/16W J		R3244	NRSA63J-333X	MG RESISTOR	33kΩ 1/16W J	
R2205	NRSA63J-473X	MG RESISTOR	47kΩ 1/16W J		R3246	NRSA63J-103X	MG RESISTOR	10kΩ 1/16W J	
R2206	NRSA63J-682X	MG RESISTOR	6.8kΩ 1/16W J		R3248	NRSA63J-472X	MG RESISTOR	4.7kΩ 1/16W J	
R2209	QRE141J-101Y	C RESISTOR	100Ω 1/4W J		R3256	NRSA63J-222X	MG RESISTOR	2.2kΩ 1/16W J	
R2210	NRSA63J-472X	MG RESISTOR	4.7kΩ 1/16W J		R4001	NRSA63J-472X	MG RESISTOR	4.7kΩ 1/16W J	
R2211	NRSA63J-332X	MG RESISTOR	3.3kΩ 1/16W J		R4003	NRSA63J-561X	MG RESISTOR	560Ω 1/16W J	
R2212	NRSA63J-332X	MG RESISTOR	3.3kΩ 1/16W J		R4004	NRSA63J-561X	MG RESISTOR	560Ω 1/16W J	
R2213	NRSA63J-472X	MG RESISTOR	4.7kΩ 1/16W J		R4005	NRSA63J-562X	MG RESISTOR	5.6kΩ 1/16W J	
R2214	QRE141J-101Y	C RESISTOR	100Ω 1/4W J		R4007	NRSA63J-102X	MG RESISTOR	1kΩ 1/16W J	
R2216	NRSA63J-0R0X	MG RESISTOR	0Ω 1/16W J		R4009	NRSA63J-102X	MG RESISTOR	1kΩ 1/16W J	
R2218	NRSA63J-392X	MG RESISTOR	3.9kΩ 1/16W J		R4012	NRSA63J-222X	MG RESISTOR	2.2kΩ 1/16W J	
R2219	NRSA63J-102X	MG RESISTOR	1kΩ 1/16W J		R4015	NRSA63J-223X	MG RESISTOR	22kΩ 1/16W J	
R2220	NRSA63J-102X	MG RESISTOR	1kΩ 1/16W J		R4017	NRSA63J-102X	MG RESISTOR	1kΩ 1/16W J	
R2221	NRSA63J-392X	MG RESISTOR	3.9kΩ 1/16W J		R5101	QRE141J-224Y	C RESISTOR	220kΩ 1/4W J	
R2222	NRSA63J-392X	MG RESISTOR	3.9kΩ 1/16W J		R5102	QRE141J-224Y	C RESISTOR	220kΩ 1/4W J	
R2223	NRSA63J-561X	MG RESISTOR	560Ω 1/16W J		R5103	QRE141J-683Y	C RESISTOR	68kΩ 1/4W J	
R2224	NRSA63J-561X	MG RESISTOR	560Ω 1/16W J		R5104	QRG02GJ-683	OMF RESISTOR	68kΩ 2W J	
R2230	NRSA63J-471X	MG RESISTOR	470Ω 1/16W J		R5106	QRT01DJ-R27X	MF RESISTOR	0.27Ω 1W J	
R2231	NRSA63J-471X	MG RESISTOR	470Ω 1/16W J		R5107	QRE121J-331Y	C RESISTOR	330Ω 1/2W J	
R2251	NRSA63J-472X	MG RESISTOR	4.7kΩ 1/16W J		R5108	NRSA63J-222X	MG RESISTOR	2.2kΩ 1/16W J	
R2252	NRSA63J-332X	MG RESISTOR	3.3kΩ 1/16W J		R5109	NRSA63J-681X	MG RESISTOR	680Ω 1/16W J	
R2255	NRSA63J-273X	MG RESISTOR	27kΩ 1/16W J		R5110	NRSA63J-224X	MG RESISTOR	220kΩ 1/16W J	
R2257	NRSA63J-684X	MG RESISTOR	680kΩ 1/16W J		R5111	NRSA63J-102X	MG RESISTOR	1kΩ 1/16W J	
R3033	QRE141J-472Y	C RESISTOR	4.7kΩ 1/4W J		R5112	NRSA63J-221X	MG RESISTOR	220Ω 1/16W J	
R3034	QRE141J-472Y	C RESISTOR	4.7kΩ 1/4W J		R5113	NRSA63J-104X	MG RESISTOR	100kΩ 1/16W J	
R3043	NRSA63J-102X	MG RESISTOR	1kΩ 1/16W J		R5201	QRE141J-221Y	C RESISTOR	220Ω 1/4W J	
R3045	NRSA63J-102X	MG RESISTOR	1kΩ 1/16W J		R5202	NRSA63J-102X	MG RESISTOR	1kΩ 1/16W J	
R3046	NRSA63J-102X	MG RESISTOR	1kΩ 1/16W J		R5203	NRSA63J-102X	MG RESISTOR	1kΩ 1/16W J	
R3047	NRSA63J-102X	MG RESISTOR	1kΩ 1/16W J		R5204	NRSA63J-332X	MG RESISTOR	3.3kΩ 1/16W J	
R3048	NRSA63J-331X	MG RESISTOR	330Ω 1/16W J		R5205	NRSA63J-123X	MG RESISTOR	12kΩ 1/16W J	
R3049	NRSA63J-331X	MG RESISTOR	330Ω 1/16W J		R5206	NRSA63J-332X	MG RESISTOR	3.3kΩ 1/16W J	
R3050	NRSA63J-331X	MG RESISTOR	330Ω 1/16W J		R5311	NRSA63J-103X	MG RESISTOR	10kΩ 1/16W J	
R3051	NRSA63J-102X	MG RESISTOR	1kΩ 1/16W J		R5312	NRSA63J-102X	MG RESISTOR	1kΩ 1/16W J	
R3052	NRSA63J-102X	MG RESISTOR	1kΩ 1/16W J		R5313	NRSA63J-122X	MG RESISTOR	1.2kΩ 1/16W J	
R3053	NRSA63J-102X	MG RESISTOR	1kΩ 1/16W J		R5316	QRE141J-181Y	C RESISTOR	180Ω 1/4W J	
R3054	NRSA63J-102X	MG RESISTOR	1kΩ 1/16W J		R5317	NRSA63J-473X	MG RESISTOR	47kΩ 1/16W J	
R3058	NRSA63J-472X	MG RESISTOR	4.7kΩ 1/16W J		R5319	NRSA63J-560X	MG RESISTOR	56Ω 1/16W J	
R3061	QRE141J-331Y	C RESISTOR	330Ω 1/4W J		R5320	NRSA63J-153X	MG RESISTOR	15kΩ 1/16W J	
R3062	QRE141J-331Y	C RESISTOR	330Ω 1/4W J		R5321	NRSA63J-473X	MG RESISTOR	47kΩ 1/16W J	
R3063	NRSA63J-102X	MG RESISTOR	1kΩ 1/16W J		R5325	NRSA63J-101X	MG RESISTOR	100Ω 1/16W J	
R3064	NRSA63J-102X	MG RESISTOR	1kΩ 1/16W J		R5390	QRE141J-102Y	C RESISTOR	1kΩ 1/4W J	
R3065	NRSA63J-271X	MG RESISTOR	270Ω 1/16W J		R5392	QRL02DJ-391X	OMF RESISTOR	390Ω 2W J	
R3069	QRE141J-102Y	C RESISTOR	1kΩ 1/4W J		R5393	QRL02DJ-391X	OMF RESISTOR	390Ω 2W J	
R3074	NRSA63J-103X	MG RESISTOR	10kΩ 1/16W J		R5394	QRL02DJ-391X	OMF RESISTOR	390Ω 2W J	
R3077	NRSA63J-102X	MG RESISTOR	1kΩ 1/16W J		R5395	QRL02DJ-391X	OMF RESISTOR	390Ω 2W J	
R3080	NRSA63J-101X	MG RESISTOR	100Ω 1/16W J		R6020	NRSA63J-102X	MG RESISTOR	1kΩ 1/16W J	
R3082	NRSA63J-102X	MG RESISTOR	1kΩ 1/16W J		R6021	NRSA63J-102X	MG RESISTOR	1kΩ 1/16W J	
R3085	NRSA63J-182X	MG RESISTOR	1.8kΩ 1/16W J		R6030	NRSA63J-332X	MG RESISTOR	3.3kΩ 1/16W J	
R3089	NRSA63J-0R0X	MG RESISTOR	0Ω 1/16W J	A	R6031	NRSA63J-101X	MG RESISTOR	100Ω 1/16W J	
R3098	NRSA63J-102X	MG RESISTOR	1kΩ 1/16W J		R6050	NRSA63J-0R0X	MG RESISTOR	0Ω 1/16W J	
R3099	NRSA63J-102X	MG RESISTOR	1kΩ 1/16W J		R6051	QRE141J-102Y	C RESISTOR	1kΩ 1/4W J	
R3101	NRSA63J-472X	MG RESISTOR	4.7kΩ 1/16W J		R6054	NRSA63J-122X	MG RESISTOR	1.2kΩ 1/16W J	
R3201	NRSA63J-103X	MG RESISTOR	10kΩ 1/16W J		R6055	NRSA63J-472X	MG RESISTOR	4.7kΩ 1/16W J	
R3202	NRSA63J-393X	MG RESISTOR	39kΩ 1/16W J		R6502	NRSA63J-332X	MG RESISTOR	3.3kΩ 1/16W J	
R3205	QRE141J-181Y	C RESISTOR	180Ω 1/4W J		R7134	NRSA63J-750X	MG RESISTOR	75Ω 1/16W J	
R3207	QRE141J-183Y	C RESISTOR	18kΩ 1/4W J		R7135	NRSA63J-221X	MG RESISTOR	220Ω 1/16W J	
R3208	NRSA63J-121X	MG RESISTOR	120Ω 1/16W J		R7137	NRSA63J-221X	MG RESISTOR	220Ω 1/16W J	
R3209	NRSA63J-183X	MG RESISTOR	18kΩ 1/16W J		R7154	QRE141J-750Y	C RESISTOR	75Ω 1/4W J	
R3210	NRSA63J-121X	MG RESISTOR	120Ω 1/16W J		R7155	NRSA63J-750X	MG RESISTOR	75Ω 1/16W J	
R3211	NRSA63J-183X	MG RESISTOR	18kΩ 1/16W J		R7156	NRSA63J-103X	MG RESISTOR	10kΩ 1/16W J	
R3212	QRE141J-474Y	C RESISTOR	470kΩ 1/4W J		R7164	QRE141J-750Y	C RESISTOR	75Ω 1/4W J	
R3213	NRSA63J-334X	MG RESISTOR	330kΩ 1/16W J		R7165	QRE141J-750Y	C RESISTOR	75Ω 1/4W J	
R3214	NRSA63J-103X	MG RESISTOR	10kΩ 1/16W J		R7166	QRE141J-750Y	C RESISTOR	75Ω 1/4W J	
R3215	NRSA63J-103X	MG RESISTOR	10kΩ 1/16W J		R7173	NRSA63J-181X	MG RESISTOR	180Ω 1/16W J	
R3216	NRSA63J-103X	MG RESISTOR	10kΩ 1/16W J		R7174	NRSA63J-222X	MG RESISTOR	2.2kΩ 1/16W J	
R3217	NRSA63J-103X	MG RESISTOR	10kΩ 1/16W J		R7175	NRSA63J-181X	MG RESISTOR	180Ω 1/16W J	
R3218	NRSA63J-472X	MG RESISTOR	4.7kΩ 1/16W J		R7176	NRSA63J-222X	MG RESISTOR	2.2kΩ 1/16W J	
R3219	NRSA63J-472X	MG RESISTOR	4.7kΩ 1/16W J		R7177	NRSA63J-820X	MG RESISTOR	82Ω 1/16W J	
R3220	QRE141J-104Y	C RESISTOR	100kΩ 1/4W J		R7179	NRSA63J-820X	MG RESISTOR	82Ω 1/16W J	
R3222	NRSA63J-103X	MG RESISTOR	10kΩ 1/16W J		R7183	NRSA63J-181X	MG RESISTOR	180Ω 1/16W J	
R3223	NRSA63J-332X	MG RESISTOR	3.3kΩ 1/16W J		R7184	NRSA63J-222X	MG RESISTOR	2.2kΩ 1/16W J	
R3224	NRSA63J-332X	MG RESISTOR	3.3kΩ 1/16W J		R7193	NRSA63J-101X	MG RESISTOR	100Ω 1/16W J	
R3225	NRSA63J-103X	MG RESISTOR	10kΩ 1/16W J		R7501	NRSA02J-100X	MG RESISTOR	10Ω 1/10W J	
R3229	NRSA63J-105X	MG RESISTOR	1MΩ 1/16W J		R7502	NRSA63J-301X	MG RESISTOR	300Ω 1/16W J	
R3234	QRE141J-473Y	C RESISTOR	47kΩ 1/4W J		R7503	NRSA63J-301X	MG RESISTOR	300Ω 1/16W J	
R3235	QRE141J-332Y	C RESISTOR	3.3kΩ 1/4W J		R7504	NRSA63J-820X	MG RESISTOR	82Ω 1/16W J	
R3236	QRE141J-332Y	C RESISTOR	3.3kΩ 1/4W J		R7506	NRSA63J-330X	MG RESISTOR	33Ω 1/16W J	

MODEL	MARK
HR-XVC27UA	A
HR-XVC27UM	B
HR-XVC29UJ	C

△ Symbol No.	Part No.	Part Name	Description	Local	△ Symbol No.	Part No.	Part Name	Description	Local
R8001	NRSA63J-472X	MG RESISTOR	4.7kΩ 1/16W J		△ CN5001	QGA7901C3-02	CONNECTOR	W-B (1-2)	
R8002	NRSA63J-472X	MG RESISTOR	4.7kΩ 1/16W J		CN7103	QGF1207C1-10	CONNECTOR	FFC/FPC (1-10)	
R8003	NRSA63J-102X	MG RESISTOR	1kΩ 1/16W J		CN7301	QGF1016C3-19	CONNECTOR	FFC/FPC (1-19)	
R8004	NRSA63J-102X	MG RESISTOR	1kΩ 1/16W J		CN7302	QGF1016C3-17	CONNECTOR	FFC/FPC (1-17)	
R8005	NRSA63J-272X	MG RESISTOR	2.7kΩ 1/16W J		CN8301	QGF1016C3-05	CONNECTOR	FFC/FPC (1-5)	
R8006	NRSA63J-272X	MG RESISTOR	2.7kΩ 1/16W J		△ CP3002	NMFZ012-1R0X-M	FUSE	1A 50V	
R8007	NRSA63J-332X	MG RESISTOR	3.3kΩ 1/16W J		CP3101	NRSA63J-0R0X	MG RESISTOR	0Ω 1/16W J	B
R8008	NRSA63J-332X	MG RESISTOR	3.3kΩ 1/16W J		△ CP3101	NMFZ012-1R0X-M	FUSE	1A 50V	A,C
R8009	NRSA63J-392X	MG RESISTOR	3.9kΩ 1/16W J		△ CP3102	QMFZ049-1R5Z-E	FUSE	1.5A 125V	B
R8010	NRSA63J-392X	MG RESISTOR	3.9kΩ 1/16W J		△ CP4002	NMFZ012-1R0X-M	FUSE	1A 50V	
R8013	NRSA63J-273X	MG RESISTOR	27kΩ 1/16W J		△ CP5303	NMFZ012-1R0X-M	FUSE	1A 50V	
R8014	NRSA63J-273X	MG RESISTOR	27kΩ 1/16W J		△ CP5304	NMFZ012-1R0X-M	FUSE	1A 50V	
R8015	NRSA63J-821X	MG RESISTOR	820Ω 1/16W J		△ F5001	QMF51W2-2R0-J8	FUSE	2A AC250V	
R8016	NRSA63J-821X	MG RESISTOR	820Ω 1/16W J		FC5001	QNG0020-001Z	FUSE CLIP		
R8017	NRSA63J-103X	MG RESISTOR	10kΩ 1/16W J		FC5002	QNG0020-001Z	FUSE CLIP		
R8018	NRSA63J-103X	MG RESISTOR	10kΩ 1/16W J		HS1	LP40621-001A	HEAT SINK	Q5101	
R8052	NRSA63J-562X	MG RESISTOR	5.6kΩ 1/16W J		J7002	QNN0586-001	PIN JACK	DVD/VCR OUTPUT	
R8053	NRSA63J-562X	MG RESISTOR	5.6kΩ 1/16W J		J7004	QNZ0652-001	AV JACK	DVD OUTPUT	
R8054	NRSA63J-473X	MG RESISTOR	47kΩ 1/16W J		J7005	QNN0587-002	PIN JACK	COMPONENT VIDEO OUT	
R8055	NRSA63J-473X	MG RESISTOR	47kΩ 1/16W J		J7008	QNS0100-001	3.5 JACK	REMOTE PAUSE	
R8201	NRSA63J-182X	MG RESISTOR	1.8kΩ 1/16W J		J7009	QNN0347-001	SURROUND JACK	COAXIAL OUT	
R8202	NRSA63J-182X	MG RESISTOR	1.8kΩ 1/16W J		JS3001	NSW0238-001	ROTARY ENCODER		
R8203	NRSA63J-182X	MG RESISTOR	1.8kΩ 1/16W J		K5101	QQR0678-001Z	FERRITE BEADS		
R8204	NRSA63J-473X	MG RESISTOR	47kΩ 1/16W J		△ LF5002	QQR0932-001	LINE FILTER		
R8205	NRSA63J-103X	MG RESISTOR	10kΩ 1/16W J		OT1	LP31158-001A	BOSS(MECHA) 1		
R8206	NRSA63J-103X	MG RESISTOR	10kΩ 1/16W J		OT2	LP31185-001A	BOSS(MECHA) 2	(x2)	
R8207	NRSA63J-103X	MG RESISTOR	10kΩ 1/16W J		OT3	QYTDST3008Z	TAP SCREW	M3 x 8mm Q5101	
R8214	NRSA63J-102X	MG RESISTOR	1kΩ 1/16W J		S3001	QSW0602-004	PUSH SWITCH	REC.SAFETY	
R8215	NRSA63J-102X	MG RESISTOR	1kΩ 1/16W J		SD1	LP31179-001A	SHILD PLATE(PRE/REC)		
R8216	NRSA63J-102X	MG RESISTOR	1kΩ 1/16W J		TU6001	QAU0336-002	TUNER		
R8217	NRSA63J-102X	MG RESISTOR	1kΩ 1/16W J		W1	NRSA63J-0R0X	MG RESISTOR	0Ω 1/16W J	
R8221	NRSA63J-102X	MG RESISTOR	1kΩ 1/16W J		W2	NRSA63J-0R0X	MG RESISTOR	0Ω 1/16W J	
R8222	NRSA63J-102X	MG RESISTOR	1kΩ 1/16W J		W4	NRSA63J-0R0X	MG RESISTOR	0Ω 1/16W J	
R8223	NRSA63J-102X	MG RESISTOR	1kΩ 1/16W J		W5	NRSA63J-0R0X	MG RESISTOR	0Ω 1/16W J	
R8227	NRSA63J-102X	MG RESISTOR	1kΩ 1/16W J		W6	NRSA63J-0R0X	MG RESISTOR	0Ω 1/16W J	
R8250	NRSA63J-222X	MG RESISTOR	2.2kΩ 1/16W J		W7	NRSA63J-0R0X	MG RESISTOR	0Ω 1/16W J	
R8251	NRSA63J-222X	MG RESISTOR	2.2kΩ 1/16W J		W8	NRSA63J-0R0X	MG RESISTOR	0Ω 1/16W J	
R8252	NRSA63J-222X	MG RESISTOR	2.2kΩ 1/16W J		W9	NRSA63J-0R0X	MG RESISTOR	0Ω 1/16W J	
R8259	NRSA63J-0R0X	MG RESISTOR	0Ω 1/16W J		W10	NRSA63J-0R0X	MG RESISTOR	0Ω 1/16W J	
R8260	NRSA63J-0R0X	MG RESISTOR	0Ω 1/16W J		W12	NRSA63J-0R0X	MG RESISTOR	0Ω 1/16W J	
R8262	NRSA63J-222X	MG RESISTOR	2.2kΩ 1/16W J		W13	NRSA63J-0R0X	MG RESISTOR	0Ω 1/16W J	
R8263	NRSA63J-222X	MG RESISTOR	2.2kΩ 1/16W J		W14	NRSA63J-0R0X	MG RESISTOR	0Ω 1/16W J	
R8301	QRE141J-4R7Y	C RESISTOR	4.7Ω 1/4W J		W15	NRSA63J-0R0X	MG RESISTOR	0Ω 1/16W J	
L5	QQL29BJ-100Z	P COIL	10uH J		W16	NRSA63J-0R0X	MG RESISTOR	0Ω 1/16W J	
L7	QQL071J-120Y	COIL	12uH J		W17	NRSA63J-0R0X	MG RESISTOR	0Ω 1/16W J	
L10	QQL29BJ-100Z	P COIL	10uH J		W18	NRSA63J-0R0X	MG RESISTOR	0Ω 1/16W J	
L201	QQL231J-150Y	COIL	15uH J		W19	NRSA63J-0R0X	MG RESISTOR	0Ω 1/16W J	
L2251	QQL29BJ-100Z	P COIL	10uH J		W20	NRSA63J-0R0X	MG RESISTOR	0Ω 1/16W J	
L4001	QQL231K-1R0Y	COIL	1uH K		W21	NRSA63J-0R0X	MG RESISTOR	0Ω 1/16W J	
L5201	PELN1184	CHOKO COIL			W22	NRSA63J-0R0X	MG RESISTOR	0Ω 1/16W J	
L5202	PELN1184	CHOKO COIL			W23	NRSA63J-0R0X	MG RESISTOR	0Ω 1/16W J	
L5203	PELN1184	CHOKO COIL			W25	NRSA63J-0R0X	MG RESISTOR	0Ω 1/16W J	
L5303	QQL231J-220Y	COIL	22uH J		W26	NRSA63J-0R0X	MG RESISTOR	0Ω 1/16W J	
L7101	QQL29BJ-100Z	P COIL	10uH J		W27	NRSA63J-0R0X	MG RESISTOR	0Ω 1/16W J	
L7103	QQL29BJ-100Z	P COIL	10uH J		W28	NRSA63J-0R0X	MG RESISTOR	0Ω 1/16W J	
L7501	QQL231K-1R0Y	COIL	1uH K		W29	NRSA63J-0R0X	MG RESISTOR	0Ω 1/16W J	
T2051	PELN0832	OSC TRANS			W30	NRSA63J-0R0X	MG RESISTOR	0Ω 1/16W J	
△ T5001	QQS0219-001	SW TRANSF			W31	NRSA63J-0R0X	MG RESISTOR	0Ω 1/16W J	
B10	NRSA63J-0R0X	MG RESISTOR	0Ω 1/16W J		W32	NRSA63J-0R0X	MG RESISTOR	0Ω 1/16W J	
B3003	NRSA63J-0R0X	MG RESISTOR	0Ω 1/16W J		W33	NRSA63J-0R0X	MG RESISTOR	0Ω 1/16W J	
B3901	NRSA63J-0R0X	MG RESISTOR	0Ω 1/16W J		W34	NRSA63J-0R0X	MG RESISTOR	0Ω 1/16W J	
B3902	NRSA63J-0R0X	MG RESISTOR	0Ω 1/16W J		W36	NRSA63J-0R0X	MG RESISTOR	0Ω 1/16W J	
B3903	NRSA63J-0R0X	MG RESISTOR	0Ω 1/16W J		W37	NRSA63J-0R0X	MG RESISTOR	0Ω 1/16W J	
B5301	NRSA63J-0R0X	MG RESISTOR	0Ω 1/16W J		W38	NRSA63J-0R0X	MG RESISTOR	0Ω 1/16W J	
B5303	NRSA63J-0R0X	MG RESISTOR	0Ω 1/16W J		W39	NRSA63J-0R0X	MG RESISTOR	0Ω 1/16W J	
B5393	NRSA63J-0R0X	MG RESISTOR	0Ω 1/16W J		W40	NRSA63J-0R0X	MG RESISTOR	0Ω 1/16W J	
B6024	NRSA63J-0R0X	MG RESISTOR	0Ω 1/16W J		W41	NRSA63J-0R0X	MG RESISTOR	0Ω 1/16W J	
B6025	NRSA63J-0R0X	MG RESISTOR	0Ω 1/16W J		W47	NRSA63J-0R0X	MG RESISTOR	0Ω 1/16W J	
B7501	NRSA63J-0R0X	MG RESISTOR	0Ω 1/16W J		W48	NRSA63J-0R0X	MG RESISTOR	0Ω 1/16W J	
B7502	NRSA63J-0R0X	MG RESISTOR	0Ω 1/16W J		W49	NRSA63J-0R0X	MG RESISTOR	0Ω 1/16W J	
CN1	QGF1201C2-09	CONNECTOR	FFC/FPC (1-9)		X1	QAX0808-001	CRYSTAL	3.582056MHz	A
CN2001	QGF1207C1-06	CONNECTOR	FFC/FPC (1-6)		X2	QAX0739-001	CRYSTAL	3.57MHz	
CN2002	QGB2532J1-02	CONNECTOR	B-B (1-2)		X3001	QAX0444-001	CRYSTAL	32.768kHz	
CN3001	QGB2032M4-12	CONNECTOR	B-B (1-12)		X3002	QAX0527-001	CRYSTAL	10.000000MHz	
CN3102	QGF1207C1-22	CONNECTOR	FFC/FPC (1-22)		X8201	QAX0246-001Z	C RESONATOR	8.00MHz	
CN3901	QGF1207C1-06	CONNECTOR	FFC/FPC (1-6)						

MODEL	MARK
HR-XVC27UA	A
HR-XVC27UM	B
HR-XVC29UJ	C

A/C head board

Block No. [1][2]

Symbol No.	Part No.	Part Name	Description	Local
PW1	LPA10158-01A1	A/C HEAD BOARD ASSY		

Display/Operation board

Block No. [2][8]

Symbol No.	Part No.	Part Name	Description	Local
PW1	LPA10228-01A1	DISPLAY/OPERATION BOARD ASSY		

IC7002	GP1UM281XK	IR DETECT UNIT	38kHz
IC7002	or PNA4652M00XB	IR DETECT UNIT	38kHz

Q7001	2SA1037AK/QR/-X	TRANSISTOR	
Q7001	or 2SB709A/QR/-X	TRANSISTOR	
Q7001	or 2SA1530A/QR/-X	SI TRANSISTOR	
Q7002	2SA1037AK/QR/-X	TRANSISTOR	
Q7002	or 2SB709A/QR/-X	TRANSISTOR	
Q7002	or 2SA1530A/QR/-X	SI TRANSISTOR	
Q7003	2SA1037AK/QR/-X	TRANSISTOR	
Q7003	or 2SB709A/QR/-X	TRANSISTOR	
Q7003	or 2SA1530A/QR/-X	SI TRANSISTOR	
Q7004	2SA1037AK/QR/-X	TRANSISTOR	
Q7004	or 2SB709A/QR/-X	TRANSISTOR	
Q7004	or 2SA1530A/QR/-X	SI TRANSISTOR	
Q7005	2SA1037AK/QR/-X	TRANSISTOR	
Q7005	or 2SB709A/QR/-X	TRANSISTOR	
Q7005	or 2SA1530A/QR/-X	SI TRANSISTOR	
Q7006	2SA1037AK/QR/-X	TRANSISTOR	
Q7006	or 2SB709A/QR/-X	TRANSISTOR	
Q7006	or 2SA1530A/QR/-X	SI TRANSISTOR	
Q7007	2SA1037AK/QR/-X	TRANSISTOR	
Q7007	or 2SB709A/QR/-X	TRANSISTOR	
Q7007	or 2SA1530A/QR/-X	SI TRANSISTOR	
Q7008	2SC2412K/QRS/-X	TRANSISTOR	
Q7008	or 2SD601A/QRS/-X	TRANSISTOR	
Q7008	or 2SC3928A/QRS/-X	TRANSISTOR	
Q7009	2SC2412K/QRS/-X	TRANSISTOR	
Q7009	or 2SD601A/QRS/-X	TRANSISTOR	
Q7009	or 2SC3928A/QRS/-X	TRANSISTOR	
Q7010	2SC2412K/QRS/-X	TRANSISTOR	
Q7010	or 2SD601A/QRS/-X	TRANSISTOR	
Q7010	or 2SC3928A/QRS/-X	TRANSISTOR	
Q7011	2SC2412K/QRS/-X	TRANSISTOR	
Q7011	or 2SD601A/QRS/-X	TRANSISTOR	
Q7011	or 2SC3928A/QRS/-X	TRANSISTOR	
Q7012	2SC2412K/QRS/-X	TRANSISTOR	
Q7012	or 2SD601A/QRS/-X	TRANSISTOR	
Q7012	or 2SC3928A/QRS/-X	TRANSISTOR	
Q7013	2SC2412K/QRS/-X	TRANSISTOR	
Q7013	or 2SD601A/QRS/-X	TRANSISTOR	
Q7013	or 2SC3928A/QRS/-X	TRANSISTOR	
Q7014	2SC2412K/QRS/-X	TRANSISTOR	
Q7014	or 2SD601A/QRS/-X	TRANSISTOR	
Q7014	or 2SC3928A/QRS/-X	TRANSISTOR	

D7006	SLR-343MC-T	LED	DVD
-------	-------------	-----	-----

C7011	QEKJ0JM-476Z	E CAPACITOR	47uF 6.3V M
-------	--------------	-------------	-------------

R7001	NRSA63J-151X	MG RESISTOR	150Ω 1/16W J
R7002	NRSA63J-151X	MG RESISTOR	150Ω 1/16W J
R7003	NRSA63J-151X	MG RESISTOR	150Ω 1/16W J
R7004	NRSA63J-151X	MG RESISTOR	150Ω 1/16W J
R7005	NRSA63J-151X	MG RESISTOR	150Ω 1/16W J
R7006	NRSA63J-151X	MG RESISTOR	150Ω 1/16W J
R7007	NRSA63J-151X	MG RESISTOR	150Ω 1/16W J
R7010	NRSA63J-103X	MG RESISTOR	10kΩ 1/16W J
R7011	NRSA63J-122X	MG RESISTOR	1.2kΩ 1/16W J
R7012	NRSA63J-182X	MG RESISTOR	1.8kΩ 1/16W J
R7013	NRSA63J-222X	MG RESISTOR	2.2kΩ 1/16W J

Symbol No.	Part No.	Part Name	Description	Local
R7014	NRSA63J-272X	MG RESISTOR	2.7kΩ 1/16W J	
R7015	NRSA63J-472X	MG RESISTOR	4.7kΩ 1/16W J	
R7020	NRSA63J-103X	MG RESISTOR	10kΩ 1/16W J	
R7021	NRSA63J-122X	MG RESISTOR	1.2kΩ 1/16W J	
R7022	NRSA63J-182X	MG RESISTOR	1.8kΩ 1/16W J	
R7023	NRSA63J-222X	MG RESISTOR	2.2kΩ 1/16W J	
R7031	NRSA63J-472X	MG RESISTOR	4.7kΩ 1/16W J	
R7032	NRSA63J-472X	MG RESISTOR	4.7kΩ 1/16W J	
R7033	NRSA63J-472X	MG RESISTOR	4.7kΩ 1/16W J	
R7034	NRSA63J-472X	MG RESISTOR	4.7kΩ 1/16W J	
R7035	NRSA63J-472X	MG RESISTOR	4.7kΩ 1/16W J	
R7036	NRSA63J-472X	MG RESISTOR	4.7kΩ 1/16W J	
R7037	NRSA63J-472X	MG RESISTOR	4.7kΩ 1/16W J	
R7040	NRSA63J-0R0X	MG RESISTOR	0Ω 1/16W J	
R7041	NRSA63J-331X	MG RESISTOR	330Ω 1/16W J	

CN7003	QGF1208F1-22	CONNECTOR	FFC/FPC (1-22)
DI7001	LTG-0376M-J	LED	
S7001	QSW1061-001Z	TACT SWITCH	DVD OPEN/CLOSE
S7002	QSW1061-001Z	TACT SWITCH	PROGRESSIVE SCAN
S7003	QSW1061-001Z	TACT SWITCH	CH+
S7004	QSW1061-001Z	TACT SWITCH	FF
S7005	QSW1061-001Z	TACT SWITCH	REW
S7006	QSW1061-001Z	TACT SWITCH	REC
S7010	QSW1061-001Z	TACT SWITCH	CH-
S7011	QSW1061-001Z	TACT SWITCH	PLAY
S7012	QSW1061-001Z	TACT SWITCH	STOP
S7013	QSW1061-001Z	TACT SWITCH	VCR/DVD

Jack board

Block No. [3][6]

Symbol No.	Part No.	Part Name	Description	Local
PW1	LPA10228-01A2	JACK BOARD ASSY		
D7005	SLR-343MC-T	LED	VCR	
R7025	NRSA63J-472X	MG RESISTOR	4.7kΩ 1/16W J	
R7042	NRSA63J-331X	MG RESISTOR	330Ω 1/16W J	
R7191	NRSA63J-750X	MG RESISTOR	75Ω 1/16W J	
CN7191	QGF1201F2-10	CONNECTOR	FFC/FPC (1-10)	
J7191	QNN0591-002	PIN JACK	FRONT VIDEO/AUDIO IN	
S7014	QSW1061-001Z	TACT SWITCH	POWER	
S7015	QSW1061-001Z	TACT SWITCH	EJECT	

Loading motor board

Block No. [5][5]

Symbol No.	Part No.	Part Name	Description	Local
PW1	LPA10158-01A2	LOADING MOTOR BOARD ASSY		

DVD bracket board

Block No. [9][0]

Symbol No.	Part No.	Part Name	Description	Local
PW1	LPA10228-01A3	DVD BRACKET BOARD ASSY		

MODEL	MARK
HR-XVC27UA	A
HR-XVC27UM	B
HR-XVC29UJ	C

Switch board

Block No. [9][8]

△ Symbol No.	Part No.	Part Name	Description	Local
CN1 S1	QGF1016F3-05 QSW1007-001	CONNECTOR DETECT SWITCH	FFC/FPC (1-5)	

DVD servo control board

Block No. [9][9]

△ Symbol No.	Part No.	Part Name	Description	Local
IC201	LA6502-X	IC		
IC301	MN2DS0003AA-H	IC		
IC302	LM1117MP-ADJ-X	IC		
IC453	S-80827CNNB-W	IC		
IC505	K4S641632F-TC75	IC(DIGITAL)		
IC505	or K4S641632H-TC75	IC(DIGITAL)		
IC505	or HY57V641620HGT7	IC		
IC509	AT49BV162AR0032	IC (FLASH)	(SERVICE)	
IC701	AK4384VT-X	IC		
Q101	KTA1001/Y/-X	TRANSISTOR		
Q101	or 2SB1424/R/-W	TRANSISTOR		
Q102	2SC4617/R/-X	TRANSISTOR		
Q103	KTA1001/Y/-X	TRANSISTOR		
Q103	or 2SB1424/R/-W	TRANSISTOR		
Q104	2SC4617/R/-X	TRANSISTOR		
Q105	UN2119-X	TRANSISTOR		
C101	NCB31CK-104X	C CAPACITOR	0.1uF 16V K	
C102	NCB31CK-104X	C CAPACITOR	0.1uF 16V K	
C103	NCB31CK-104X	C CAPACITOR	0.1uF 16V K	
C104	NCB31CK-104X	C CAPACITOR	0.1uF 16V K	
C105	NEA70JM-476X	E CAPACITOR	47uF 6.3V M	
C106	NEA70JM-476X	E CAPACITOR	47uF 6.3V M	
C107	NCB31CK-104X	C CAPACITOR	0.1uF 16V K	
C108	NEA70JM-476X	E CAPACITOR	47uF 6.3V M	
C111	NCB31CK-104X	C CAPACITOR	0.1uF 16V K	
C204	NCB31CK-104X	C CAPACITOR	0.1uF 16V K	
C205	NCB31HK-271X	C CAPACITOR	270pF 50V K	
C206	NDC31HJ-151X	C CAPACITOR	150pF 50V J	
C208	NCB31HK-561X	C CAPACITOR	560pF 50V K	
C211	NCB31HK-223X	C CAPACITOR	0.022uF 50V K	
C212	NCB31CK-103X	C CAPACITOR	0.01uF 16V K	
C217	NCB31CK-104X	C CAPACITOR	0.1uF 16V K	
C251	NCB31AK-474X	C CAPACITOR	0.47uF 10V K	
C253	NCB31HK-561X	C CAPACITOR	560pF 50V K	
C255	NCB31CK-153X	C CAPACITOR	0.015uF 16V K	
C256	NCB31CK-104X	C CAPACITOR	0.1uF 16V K	
C257	NCB31HK-822X	C CAPACITOR	8200pF 50V K	
C258	NCB31CK-153X	C CAPACITOR	0.015uF 16V K	
C259	NCB31CK-153X	C CAPACITOR	0.015uF 16V K	
C260	NCB31EK-223X	C CAPACITOR	0.022uF 25V K	
C261	NCB31EK-223X	C CAPACITOR	0.022uF 25V K	
C262	NCB31EK-223X	C CAPACITOR	0.022uF 25V K	
C264	NEA70JM-227X	E CAPACITOR	220uF 6.3V M	
C301	NEA70GM-227X	E CAPACITOR	220uF 4V M	
C302	NEA70GM-476X	E CAPACITOR	47uF 4V M	
C303	NEA70GM-476X	E CAPACITOR	47uF 4V M	
C304	NCB31CK-105X	C CAPACITOR	1uF 16V K	
C305	NCB31CK-104X	C CAPACITOR	0.1uF 16V K	
C306	NCB31CK-104X	C CAPACITOR	0.1uF 16V K	
C307	NCB31CK-104X	C CAPACITOR	0.1uF 16V K	
C308	NCB31CK-104X	C CAPACITOR	0.1uF 16V K	
C309	NCB31CK-104X	C CAPACITOR	0.1uF 16V K	
C310	NCB31CK-104X	C CAPACITOR	0.1uF 16V K	
C311	NCB31CK-104X	C CAPACITOR	0.1uF 16V K	
C312	NCB31CK-104X	C CAPACITOR	0.1uF 16V K	
C313	NCB31CK-104X	C CAPACITOR	0.1uF 16V K	
C314	NCB31CK-104X	C CAPACITOR	0.1uF 16V K	
C315	NCB31CK-104X	C CAPACITOR	0.1uF 16V K	
C316	NCB31CK-104X	C CAPACITOR	0.1uF 16V K	
C317	NCB31CK-104X	C CAPACITOR	0.1uF 16V K	

△ Symbol No.	Part No.	Part Name	Description	Local
C318	NCB31CK-104X	C CAPACITOR	0.1uF 16V K	
C319	NCB31CK-104X	C CAPACITOR	0.1uF 16V K	
C320	NCB31CK-104X	C CAPACITOR	0.1uF 16V K	
C321	NCB31CK-104X	C CAPACITOR	0.1uF 16V K	
C322	NCB31CK-104X	C CAPACITOR	0.1uF 16V K	
C323	NCB31CK-104X	C CAPACITOR	0.1uF 16V K	
C324	NCB21CK-105X	C CAPACITOR	1uF 16V K	
C325	NDC31HJ-180X	C CAPACITOR	18pF 50V J	
C326	NDC31HJ-150X	C CAPACITOR	15pF 50V J	
C327	NCB31HK-103X	C CAPACITOR	0.01uF 50V K	
C330	NCB31CK-104X	C CAPACITOR	0.1uF 16V K	
C331	NCB31CK-333X	C CAPACITOR	0.033uF 16V K	
C332	NCB31CK-104X	C CAPACITOR	0.1uF 16V K	
C333	NCB31CK-104X	C CAPACITOR	0.1uF 16V K	
C334	NCB31CK-104X	C CAPACITOR	0.1uF 16V K	
C335	NCB31CK-104X	C CAPACITOR	0.1uF 16V K	
C337	NCB31CK-183X	C CAPACITOR	0.018uF 16V K	
C338	NCB31HK-562X	C CAPACITOR	5600pF 50V K	
C339	NCB31CK-104X	C CAPACITOR	0.1uF 16V K	
C340	NCB21CK-105X	C CAPACITOR	1uF 16V K	
C341	NCB30JK-105X	C CAPACITOR	1uF 6.3V K	
C347	NCB31CK-104X	C CAPACITOR	0.1uF 16V K	
C348	NCB31CK-104X	C CAPACITOR	0.1uF 16V K	
C349	NCB31CK-104X	C CAPACITOR	0.1uF 16V K	
C350	NCB31CK-104X	C CAPACITOR	0.1uF 16V K	
C356	NCB21CK-105X	C CAPACITOR	1uF 16V K	
C359	NCB31CK-104X	C CAPACITOR	0.1uF 16V K	
C371	NCB21CK-105X	C CAPACITOR	1uF 16V K	
C374	NCB31CK-104X	C CAPACITOR	0.1uF 16V K	
C391	NCB31CK-104X	C CAPACITOR	0.1uF 16V K	
C392	NCB31CK-104X	C CAPACITOR	0.1uF 16V K	
C455	NCB31CK-103X	C CAPACITOR	0.01uF 16V K	
C505	NDC31HJ-330X	C CAPACITOR	33pF 50V J	
C506	NDC31HJ-330X	C CAPACITOR	33pF 50V J	
C507	NDC31HJ-330X	C CAPACITOR	33pF 50V J	
C508	NDC31HJ-330X	C CAPACITOR	33pF 50V J	
C509	NDC31HJ-330X	C CAPACITOR	33pF 50V J	
C510	NDC31HJ-330X	C CAPACITOR	33pF 50V J	
C547	NCB31CK-104X	C CAPACITOR	0.1uF 16V K	
C551	NCB31CK-104X	C CAPACITOR	0.1uF 16V K	
C552	NCB31CK-104X	C CAPACITOR	0.1uF 16V K	
C553	NBE20JM-226X	TA E CAPACITOR	22uF 6.3V M	
C554	NCB31CK-104X	C CAPACITOR	0.1uF 16V K	
C555	NCB31CK-104X	C CAPACITOR	0.1uF 16V K	
C556	NCB31CK-104X	C CAPACITOR	0.1uF 16V K	
C557	NCF31AZ-105X	C CAPACITOR	1uF 10V Z	
C558	NCB31CK-104X	C CAPACITOR	0.1uF 16V K	
C559	NCB31CK-104X	C CAPACITOR	0.1uF 16V K	
C701	NCB31CK-104X	C CAPACITOR	0.1uF 16V K	
C704	NEA70JM-227X	E CAPACITOR	220uF 6.3V M	
C706	NEA71CM-106X	E CAPACITOR	10uF 16V M	
C707	NCB31CK-104X	C CAPACITOR	0.1uF 16V K	
C721	NCB31HK-102X	C CAPACITOR	1000pF 50V K	
C902	NCB31CK-104X	C CAPACITOR	0.1uF 16V K	
C903	NCB31CK-104X	C CAPACITOR	0.1uF 16V K	
C904	NCB31CK-104X	C CAPACITOR	0.1uF 16V K	
C906	NCB31CK-104X	C CAPACITOR	0.1uF 16V K	
R101	NRSA63J-101X	MG RESISTOR	100Ω 1/16W J	
R102	NRSA63J-101X	MG RESISTOR	100Ω 1/16W J	
R103	NRSA63J-243X	MG RESISTOR	24kΩ 1/16W J	
R104	NRSA63J-303X	MG RESISTOR	30kΩ 1/16W J	
R105	NRS125J-270X	MG RESISTOR	27Ω 1/2W J	
R106	NRSA63J-2R2X	MG RESISTOR	2.2Ω 1/16W J	
R107	NRSA63J-101X	MG RESISTOR	100Ω 1/16W J	
R108	NRSA63J-471X	MG RESISTOR	470Ω 1/16W J	
R109	NRSA63J-471X	MG RESISTOR	470Ω 1/16W J	
R110	NRSA63J-0R0X	MG RESISTOR	0Ω 1/16W J	
R111	NRSA63J-243X	MG RESISTOR	24kΩ 1/16W J	
R112	NRSA63J-303X	MG RESISTOR	30kΩ 1/16W J	
R113	NRS125J-270X	MG RESISTOR	27Ω 1/2W J	
R114	NRSA63J-2R2X	MG RESISTOR	2.2Ω 1/16W J	
R115	NRSA63J-101X	MG RESISTOR	100Ω 1/16W J	
R116	NRSA63J-471X	MG RESISTOR	470Ω 1/16W J	
R117	NRSA63J-331X	MG RESISTOR	330Ω 1/16W J	
R118	NRSA63J-0R0X	MG RESISTOR	0Ω 1/16W J	
R119	NRSA63J-0R0X	MG RESISTOR	0Ω 1/16W J	
R120	NRSA63J-0R0X	MG RESISTOR	0Ω 1/16W J	

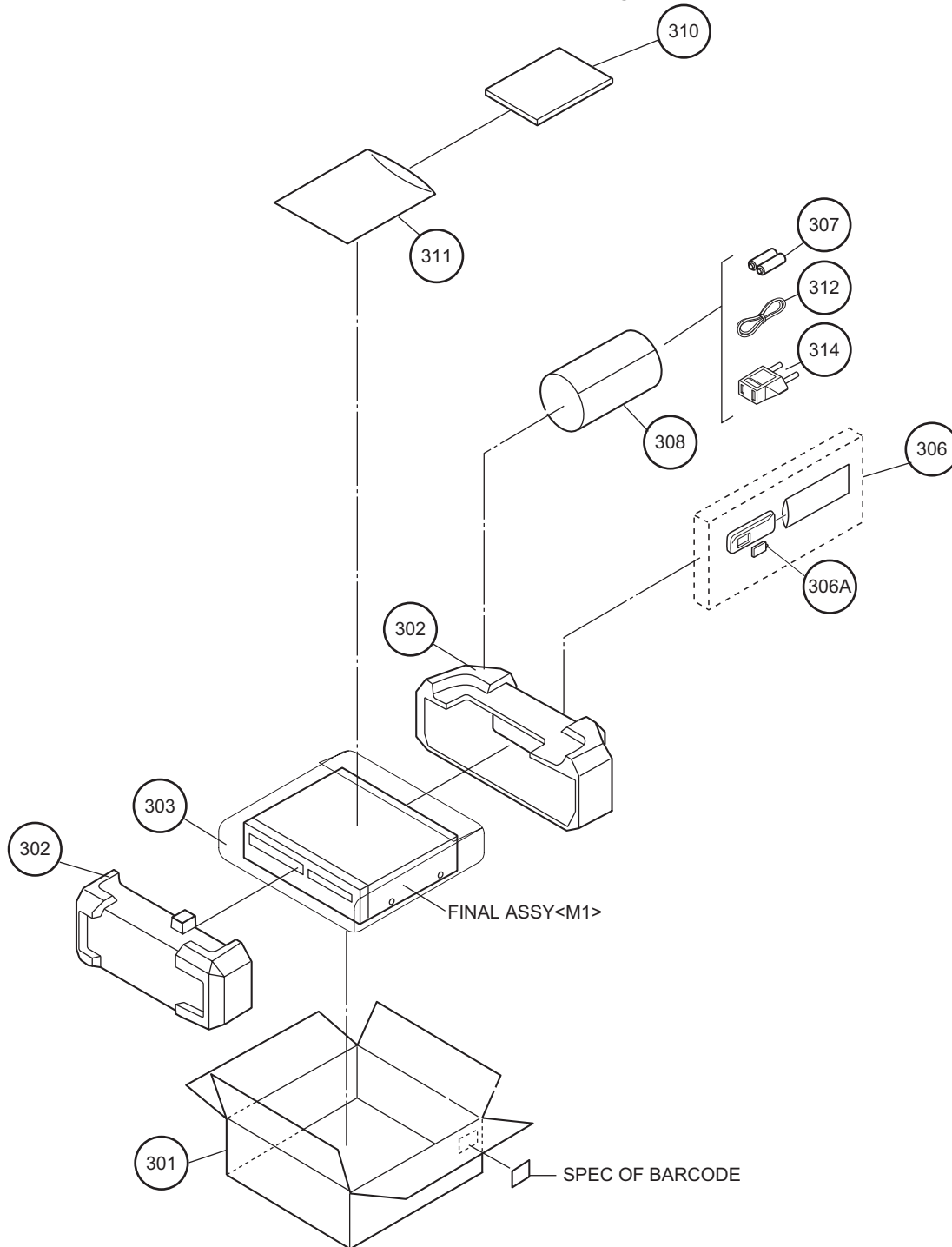
MODEL	MARK
HR-XVC27UA	A
HR-XVC27UM	B
HR-XVC29UJ	C

△ Symbol No.	Part No.	Part Name	Description	Local	△ Symbol No.	Part No.	Part Name	Description	Local
R122	NRSA63J-0R0X	MG RESISTOR	0Ω 1/16W J		R503	NRSA63J-101X	MG RESISTOR	100Ω 1/16W J	
R123	NRSA63J-0R0X	MG RESISTOR	0Ω 1/16W J		R510	NRSA63J-0R0X	MG RESISTOR	0Ω 1/16W J	
R125	NRS125J-1R0X	MG RESISTOR	1Ω 1/2W J		R551	NRSA63J-102X	MG RESISTOR	1kΩ 1/16W J	
R126	NRSA02J-181X	MG RESISTOR	180Ω 1/10W J		R553	NQR0129-002X	FERRITE BEADS		
R128	NRSA63J-0R0X	MG RESISTOR	0Ω 1/16W J		R554	NQR0129-002X	FERRITE BEADS		
R204	NRSA63J-273X	MG RESISTOR	27kΩ 1/16W J		R555	NQR0129-002X	FERRITE BEADS		
R205	NRSA63J-273X	MG RESISTOR	27kΩ 1/16W J		R556	NQR0129-002X	FERRITE BEADS		
R206	NRSA63J-303X	MG RESISTOR	30kΩ 1/16W J		R557	NQR0129-002X	FERRITE BEADS		
R207	NRSA63J-473X	MG RESISTOR	47kΩ 1/16W J		R558	NRSA63J-102X	MG RESISTOR	1kΩ 1/16W J	
R208	NRSA63J-223X	MG RESISTOR	22kΩ 1/16W J		R701	NRSA63J-100X	MG RESISTOR	10Ω 1/16W J	
R213	NRSA63J-103X	MG RESISTOR	10kΩ 1/16W J		R702	NRSA63J-0R0X	MG RESISTOR	0Ω 1/16W J	
R214	NRSA63J-103X	MG RESISTOR	10kΩ 1/16W J		R710	NRSA63J-100X	MG RESISTOR	10Ω 1/16W J	
R215	NRSA63J-103X	MG RESISTOR	10kΩ 1/16W J		R711	NRSA63J-101X	MG RESISTOR	100Ω 1/16W J	
R219	NRSA63J-183X	MG RESISTOR	18kΩ 1/16W J		R712	NRSA63J-101X	MG RESISTOR	100Ω 1/16W J	
R220	NRSA63J-243X	MG RESISTOR	24kΩ 1/16W J		R713	NRSA63J-101X	MG RESISTOR	100Ω 1/16W J	
R221	NRSA63J-682X	MG RESISTOR	6.8kΩ 1/16W J		R716	NRSA63J-0R0X	MG RESISTOR	0Ω 1/16W J	
R251	NRS125J-R47X	MG RESISTOR	0.47Ω 1/2W J		R718	NRSA63J-473X	MG RESISTOR	47kΩ 1/16W J	
R252	NRSA63J-2R2X	MG RESISTOR	2.2Ω 1/16W J		R719	NRSA63J-0R0X	MG RESISTOR	0Ω 1/16W J	
R254	NRSA63J-203X	MG RESISTOR	20kΩ 1/16W J		R909	NRSA02J-0R0X	MG RESISTOR	0Ω 1/10W J	
R255	NRSA63J-103X	MG RESISTOR	10kΩ 1/16W J		R911	NRSA02J-0R0X	MG RESISTOR	0Ω 1/10W J	
R257	NRSA63J-0R0X	MG RESISTOR	0Ω 1/16W J		L501	NQL044K-100X	COIL	10uH K	
R259	NRSA63J-103X	MG RESISTOR	10kΩ 1/16W J		CN101	QGF0523F1-24W	CONNECTOR	FFC/FPC (1-24)	
R302	NRSA63J-240X	MG RESISTOR	24Ω 1/16W J		CN201	QGF1016F2-08W	CONNECTOR	FFC/FPC (1-8)	
R303	NRSA63J-270X	MG RESISTOR	27Ω 1/16W J		CN501	QGF1016F2-19W	CONNECTOR	FFC/FPC (1-19)	
R306	NRSA63J-102X	MG RESISTOR	1kΩ 1/16W J		CN503	QGF1016F2-17W	CONNECTOR	FFC/FPC (1-17)	
R307	NRSA63J-102X	MG RESISTOR	1kΩ 1/16W J		K101	NRSA02J-0R0X	MG RESISTOR	0Ω 1/10W J	
R308	NRSA63J-223X	MG RESISTOR	22kΩ 1/16W J		K102	NRSA02J-0R0X	MG RESISTOR	0Ω 1/10W J	
R309	NRSA63J-104X	MG RESISTOR	100kΩ 1/16W J		K301	NQR0354-001X	FERRITE BEADS		
R310	NRS125J-R47X	MG RESISTOR	0.47Ω 1/2W J		K302	NRSA63J-101X	MG RESISTOR	100Ω 1/16W J	
R312	NRSA63J-0R0X	MG RESISTOR	0Ω 1/16W J		K303	NRSA63J-101X	MG RESISTOR	100Ω 1/16W J	
R313	NRSA63J-0R0X	MG RESISTOR	0Ω 1/16W J		K304	NQR0354-001X	FERRITE BEADS		
R314	NRSA63J-0R0X	MG RESISTOR	0Ω 1/16W J		K501	NQR0129-002X	FERRITE BEADS		
R315	NRSA63J-0R0X	MG RESISTOR	0Ω 1/16W J		K551	NQR0129-002X	FERRITE BEADS		
R316	NRSA63J-0R0X	MG RESISTOR	0Ω 1/16W J		K552	NQR0129-002X	FERRITE BEADS		
R317	NRSA63J-0R0X	MG RESISTOR	0Ω 1/16W J		K553	NQR0129-002X	FERRITE BEADS		
R318	NRSA63J-333X	MG RESISTOR	33kΩ 1/16W J		K554	NQR0129-002X	FERRITE BEADS		
R319	NRSA63J-0R0X	MG RESISTOR	0Ω 1/16W J		K555	NQR0022-005X	FERRITE BEADS		
R320	NRSA63J-103X	MG RESISTOR	10kΩ 1/16W J		K556	NQR0129-002X	FERRITE BEADS		
R322	NRSA63J-473X	MG RESISTOR	47kΩ 1/16W J		X351	NAX0550-001X	CRYSTAL	27.000MHz	
R323	NRSA63J-0R0X	MG RESISTOR	0Ω 1/16W J						
R325	NRSA63J-331X	MG RESISTOR	330Ω 1/16W J						
R326	NRSA63J-331X	MG RESISTOR	330Ω 1/16W J						
R333	NRSA63J-163X	MG RESISTOR	16kΩ 1/16W J						
R334	NRSA63J-151X	MG RESISTOR	150Ω 1/16W J						
R335	NRSA63J-151X	MG RESISTOR	150Ω 1/16W J						
R336	NRSA63J-151X	MG RESISTOR	150Ω 1/16W J						
R337	NRSA63J-151X	MG RESISTOR	150Ω 1/16W J						
R338	NRSA63J-0R0X	MG RESISTOR	0Ω 1/16W J						
R339	NRSA63J-0R0X	MG RESISTOR	0Ω 1/16W J						
R340	NRSA63D-303X	MG RESISTOR	30kΩ 1/16W D						
R341	NRSA63D-362X	MG RESISTOR	3.6kΩ 1/16W D						
R342	NRSA63D-222X	MG RESISTOR	2.2kΩ 1/16W D						
R343	NRSA63J-0R0X	MG RESISTOR	0Ω 1/16W J						
R344	NRSA63J-6R8X	MG RESISTOR	6.8Ω 1/16W J						
R345	NQR0129-002X	FERRITE BEADS							
R351	NRSA63J-681X	MG RESISTOR	680Ω 1/16W J						
R352	NRSA63J-105X	MG RESISTOR	1MΩ 1/16W J						
R357	NRSA63J-101X	MG RESISTOR	100Ω 1/16W J						
R358	NRSA63J-101X	MG RESISTOR	100Ω 1/16W J						
R361	NRSA63J-101X	MG RESISTOR	100Ω 1/16W J						
R362	NRSA63J-331X	MG RESISTOR	330Ω 1/16W J						
R363	NRSA63J-151X	MG RESISTOR	150Ω 1/16W J						
R372	NRSA63J-102X	MG RESISTOR	1kΩ 1/16W J						
R373	NRSA63J-102X	MG RESISTOR	1kΩ 1/16W J						
R378	NRSA63J-102X	MG RESISTOR	1kΩ 1/16W J						
R379	NRSA63J-102X	MG RESISTOR	1kΩ 1/16W J						
R384	NRSA63J-102X	MG RESISTOR	1kΩ 1/16W J						
R385	NRSA63J-102X	MG RESISTOR	1kΩ 1/16W J						
R390	NRSA63J-472X	MG RESISTOR	4.7kΩ 1/16W J						
R391	NAD0025-103X	N THERMISTOR	10kΩ						
R392	NRSA63J-103X	MG RESISTOR	10kΩ 1/16W J						
R393	NRSA63J-0R0X	MG RESISTOR	0Ω 1/16W J						
R394	NRSA63J-0R0X	MG RESISTOR	0Ω 1/16W J						
R395	NRSA02J-0R0X	MG RESISTOR	0Ω 1/10W J						
R457	NRSA63J-0R0X	MG RESISTOR	0Ω 1/16W J						
R458	NRSA63J-102X	MG RESISTOR	1kΩ 1/16W J						
R501	NRSA63J-471X	MG RESISTOR	470Ω 1/16W J						
R502	NRSA63J-471X	MG RESISTOR	470Ω 1/16W J						

Packing materials and accessories parts list

Block No. M5MM

The instruction manual to be provided with this product will differ according to the destination.



MODEL	MARK
HR-XVC27UA	A
HR-XVC27UM	B
HR-XVC29UJ	C

Packing and accessories

Block No. [M][5][M][M]

△ Symbol No.	Part No.	Part Name	Description	Local
301	LP31296-008A	PACKING CASE		A
301	LP31263-040A	PACKING CASE		B
301	LP31263-039A	PACKING CASE		C
302	LP31295-001B	CUSHION ASSY		A
302	LP31265-001D	CUSHION ASSY		B,C
303	LP41038-001A	POLY BAG		
306	LP21036-039B	REMOCON		
306A	LP40254-009A	COVER(BATTERY)		
307	-----	BATTERY	R6TYPE(x2)	
308	QPC02202230P	POLY BAG	22cm x 22cm	
△ 310	LPT0968-001A	INST.BOOK	(SPANISH)	A
△ 310	LPT0967-001A	INST.BOOK	(ENGLISH)	B
△ 310	LPT0967-002A	INST.BOOK	(SPANISH)	B
△ 310	LPT0966-001A	INST.BOOK	(ENGLISH)	C
311	QPC02503530P	POLY BAG	25cm x 35cm	
312	QAM0501-003	RF CABLE		
△ 314	QAM0027-002	CONVERSION PLUG		B,C